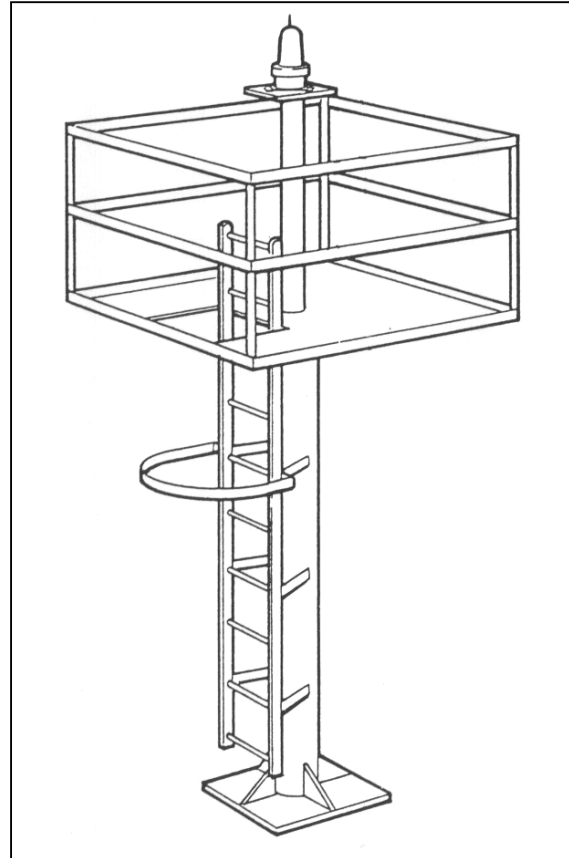
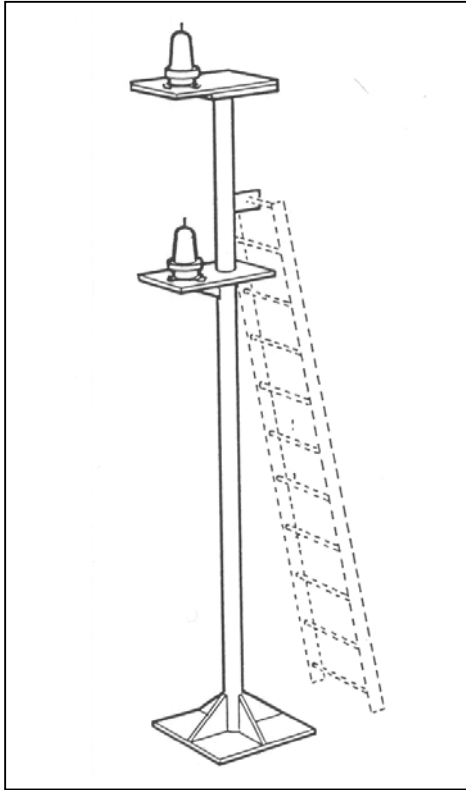


GALVANISED STEEL POSTS

A standard range of galvanised steel posts for the mounting of jetty lights, harbour lights and dolphin lights. Compatible with our SZ range of standard solar powered systems.



Material: Mild Steel
Finish: Galvanised

Post Type	Post Height	Weight (approx.) without ladder	Weight (approx.) with ladder
PS-2	2m	20Kg	60Kg
PS-3	3m	30Kg	150Kg
PS-4	4m	50Kg	280Kg
PS-5	5m	90Kg	400Kg
PS-6	6m	140Kg	550Kg
PS-7	7m	200Kg	760Kg
PS-8	8m	300Kg	1000Kg
PS-9	9m	400Kg	1250Kg
PS-10	10m	550Kg	1500Kg

The details opposite are based on our standard post which is designed for mounting two lanterns.

Fixing details available on request.

Weights and fixing details may vary depending upon additional equipment fitted such as a Battery Charger, Solar System or Daymark.

Pharos Marine **Automatic Power**

AB Pharos Marine Ltd, Steyning Way, Hounslow, Middlesex, TW4 6DL, England Tel: 44-20-8538 1100, Telefax: 44-20-8577 4170

Website: www.pharosmarine.com Email: sales@pharosmarine.com

Automatic Power Inc., P.O Box 23078, Houston, Texas 77223-0738, U.S.A Tel: 1 (713) 228-5208, Telefax: 1 (713) 228-3717

AB Pharos Marine Pte Ltd., 35 Tannery Road, #05-05, Tannery Block, Ruby Industrial Complex, Singapore 347740 Tel: (65) 6747-9325, Telex: RS 33272 PHAROS, Telefax: (65) 6746-0478