

BL-717 BUOY

The BL-717 is a standard U. S. Coast Guard steel buoy designed and constructed for maximum visual range in relatively shallow water and applications where a bell or gong is required.

PHYSICAL CHARACTERISTICS (no moorings)

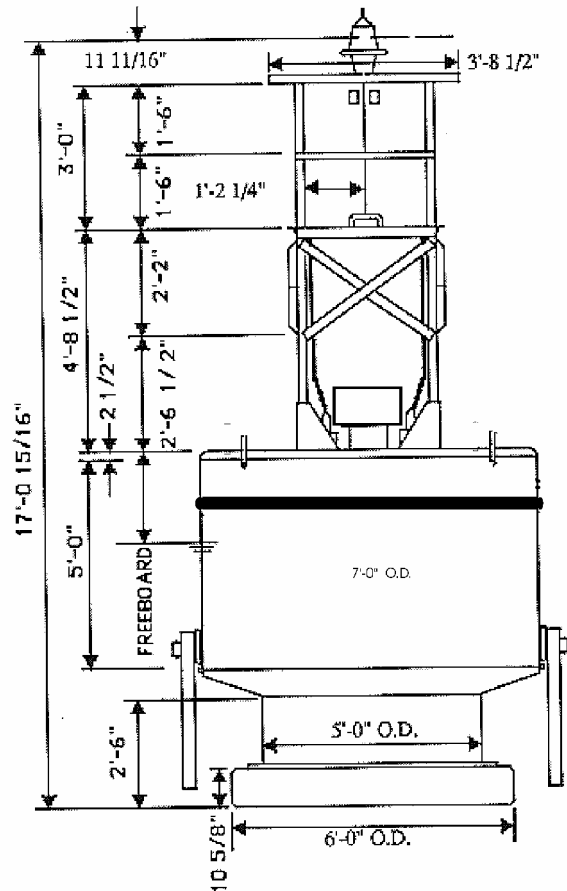
Buoy Weight	7,810 lbs.
Buoy Draft	5 ft. 6in.
Focal Height of light	11 ft. 8 in.
Freeboard	3 ft.
Minimum Freeboard	1 ft.
Pounds-Per-Inch Immersion	205/199

RELATED EQUIPMENT

Lantern	FA-249WA
Horn	SA-850/1
Solar Power System	53 Watt Winged
Batteries	
Mooring Bridle	
Mooring Chain	
Chain Length	
Sinker	

OPERATIONAL CHARACTERISTICS (nominal)

Daymark Visual Range	2.3 nm
Radar Range	2,7 nm
Mooring Depth (min.)	15 ft.
Mooring Depth (max. w/chain)	200 ft.



www.automaticpower.com

Pharos Marine – England
Steyning Way, Houndslow
Middlesex, England TW4 6DL
Phone: 44-20-8538-1100
Fax: 44-20-8577-4170
sales@pharosmarine.com

**AUTOMATIC POWER – HOUSTON
MAIN OFFICE & FACTORY**
213 Hutcheson St.
Houston, TX USA 77003
P.O Box 230738
Phone: 713-228-5208
Fax: 713-228-3717
sales@automaticpower.com

Pharos Marine – Singapore
35 Tannery Road
05-05 Tannery Block, Singapore
347740
Phone: 65-6-747-9325
Fax: 65-6-746-0478
abpharos@singnet.com.sg

Automatic Power – West Coast USA
26 Pizarro Ave.
Novato, CA USA 94949
Phone: 415-382-6296
Fax: 415-382-6299
dolanp@aol.com

Automatic Power – Gulf Coast USA
1340 Westbank Expressway
Westwego, LA USA 70094
Phone: 504-347-2384
Fax: 504-348-2306
dcummiskey@automaticpower.com

Automatic Power – East Coast USA
204 Parkway Drive
Williamsburg, VA USA 23183
Phone: 757-253-2817
Fax: 757-220-8166
APatlantic@aol.com