

# Battery Enclosures



Stanchion Battery Box



Medium Capacity Battery Box



Fiberglass Battery Box



Top Opening Box

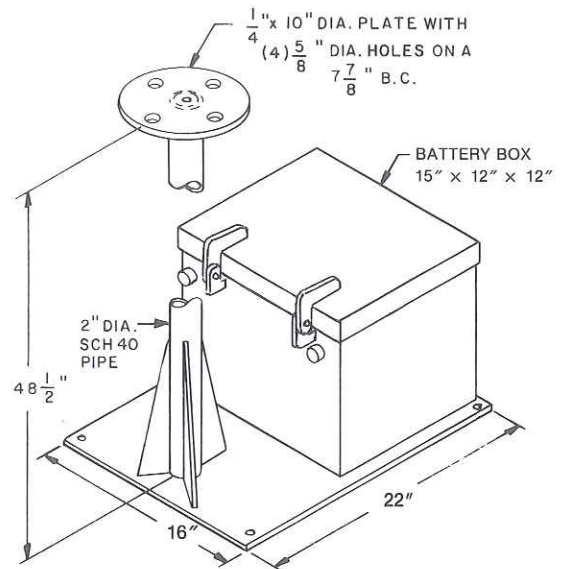
# Stanchion Battery Box

Rugged compact galvanized steel box with stanchion to mount lantern, solar module and/or other equipment. BS-1 includes water tight cable glands and a hinged top with lockable hasp.

**Model: BS-1**

**Material: Steel, hot dip galvanized**

**Weight: 83 lbs.**



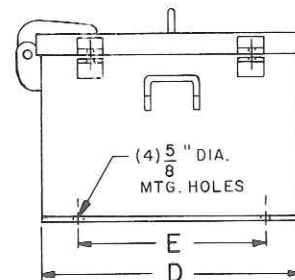
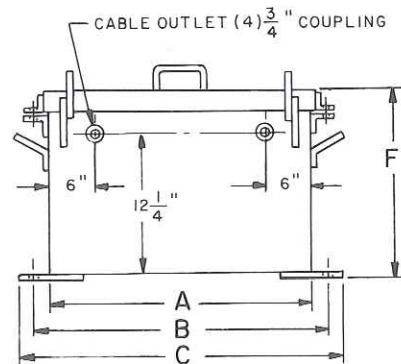
# Top Opening Medium Capacity Battery Boxes

Durable boxes constructed of galvanized steel with watertight cable glands, lifting handles and a mounting plate at each end. Boxes are available with hinged or lift-off overlapping tops. Both are lockable.

The box is available in three standard sizes.

## Specifications

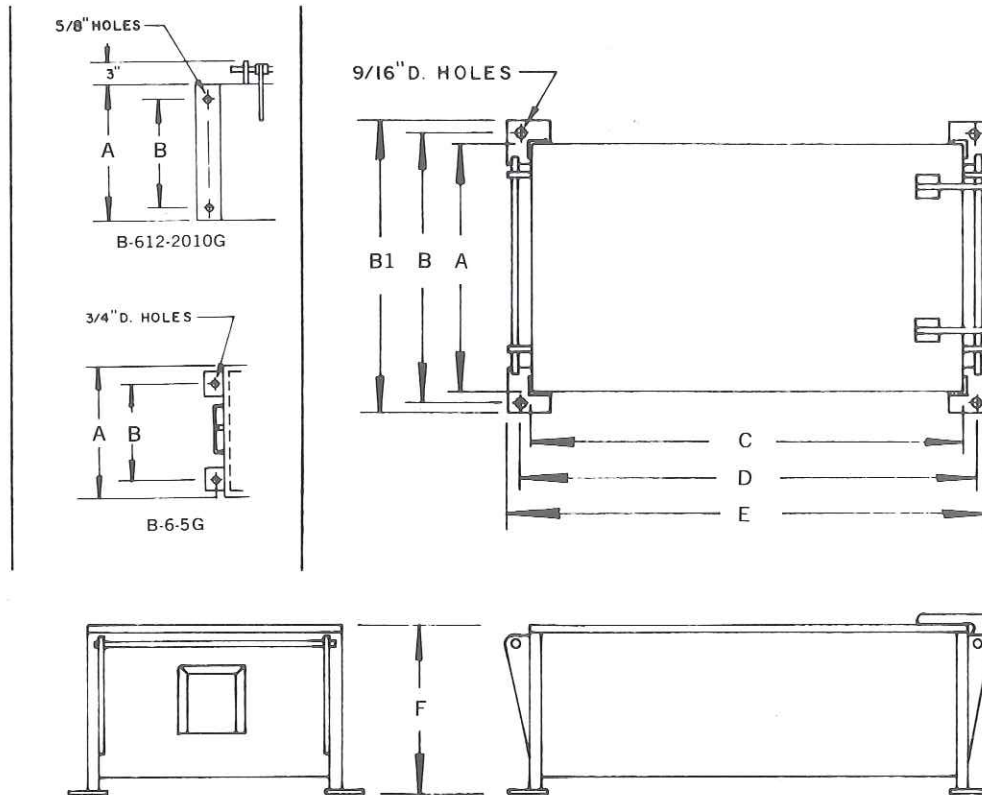
Model	B-12-2G	B-12-4G	B-12-6G	B-12-8G
Weight	65 lbs.	105 lbs.	182 lbs.	155 lbs.
Dimensions				
A	25"	25"	42"	30-1/8"
B	27"	27"	45"	29-1/4"
C	29"	29"	48"	30-1/8"
D	16"	25"	27-3/8"	34-1/4"
E	14"	19"	23-3/8"	32-3/16"
F	17 1/2"	17 1/2"	18-7/8"	19"



# Top Opening Battery Boxes

Rugged, large-capacity, low-profile boxes designed for offshore and onshore applications where top-loading accessibility is important. Tops have overhanging lips which

effectively keep out mist and spray. Boxes, hinges, and mounting accessories are sturdy, galvanized steel. Watertight cable connections included.



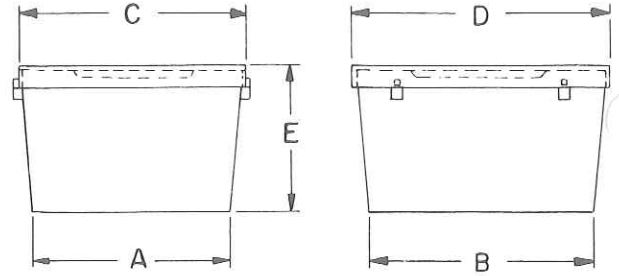
## Specifications

Model	B-6-5G	B-12-24G	B-12-40G	B-15-36G	B-612-2010G
Material	12 ga. steel	12 ga. steel	12 ga. steel	12 ga. steel	12 ga. steel
Weight	35 lbs.	197 lbs.	235 lbs.	312 lbs.	125 lbs.
Dimensions: A	11"	30"	38½"	44"	17"
B	8"	32"	40½"	46"	14"
B1	11"	34½"	43"	48½"	17"
C	25"	52"	47½"	62"	41"
D	26"	54"	49½"	64"	44"
E	28"	56½"	52"	66½"	47"
F	10"	19¾"	19¾"	19¾"	12"
Hinges	None	30" Side	38" Side	44" Side	41" Back
Lifting Device	Handles	Handles	Handles	Handles	Handles

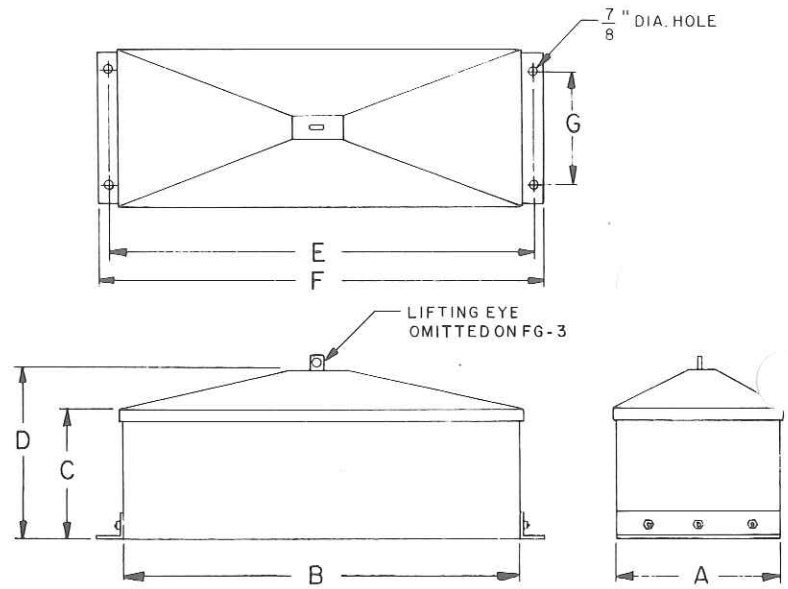


# Fiberglass Battery Boxes

Gel coated fiberglass reinforced boxes designed for rough marine environment but light weight to provide easy installation. Boxes have stainless steel hardware and may have plastic cable glands installed for water-tight cable termination. These boxes are available in two standard sizes. Model FG-2 has a galvanized steel center lifting eye.



Model FG-1



Model FG-2 and FG-3

## Specifications

Model	FG-1	FG-2	FG-3
Weight	14 lbs.	89 lbs.	78 lbs.
Dimensions			
A	18"	27 1/4"	27 1/4"
B	20"	45 1/4"	45 1/4"
C	19"	20"	20"
D	22"	23"	23"
E	13 1/2"	48 1/4"	48 1/4"
F		54 1/4"	54 1/4"
G		17"	17"
Lifting Eye	No	Yes	No

