

# FA-249LED MARINE LANTERN



Pharos Marine  
Automatic Power



Featuring a highly efficient Fresnel-type acrylic drum lens system, the FA-249LED is a rugged & compact marine signal lantern. It is suited for buoys, fixed platforms, barges, low-powered warning lights, and others

With the advent of LED light sources, Automatic Power has adapted the FA-249 marine lantern for use as an LED lantern due to its widespread use and excellent reputation as a buoy lantern. It provides the lighthouse authority the advantages of a proven lantern design with the flexibility to use the same housing and lens system for both LED and lampchanger systems and to retrofit LEDs into existing installations.

Utilizing very high flux LEDs mounted on a STABRITE LED array system and driven by specially designed electronics, the FA-249LED represents the state of the art in LED light systems.

## FLASH CHARACTERISTICS

Preset at factory to customers specifications. 256+1 special programmable position.

## ELECTRONICS

- High-efficiency TracSwitcher current controls. 82% of the battery current reaches the LED array on flash. 2 milliamp idle current between flashes.
- Software programmable: Photocell, low voltage disconnect, special flash rhythm, specialized current settings and solar charge control voltage setting.
- Optional Uniflash®-series GPS synchronizing system, terminal strips, etc.
- Optional 365 day timer.
- Optional remote monitoring.
- Input battery voltage range of 10.5 to 30 volts.

## LENS

- 155 mm 360 degree visibility acrylic Fresnel lens in clear, red, green, and amber.

## LEDS

- State of the art high flux STABRITE LED unit. LEDs mounted in a cluster to approximate a marine signal lamp located at the focal point of the lens. Life expectancy in excess of 100,000 hours depending on current density.

## CONSTRUCTION

- A Qualified Product to U. S. Coast Guard Specification 205, the FA-249 is designed to withstand the mechanical stresses of service on buoys. It features a three-piece lens mounting system of molded Lexan with stainless steel thumb screws that fully compresses the lens gasket and provides strong positive closure of the lantern. The lantern may be submerged in one meter of water for an hour with no ill effects.
- The lantern can accommodate an external photocell, solar array cable and battery cable.

**Available approved by Factory Mutual for Class I, Division 2 Hazardous Areas.**

**Patent No.: US 7,111,961 B2**

**Patent No.: US 7,217,006 B2**

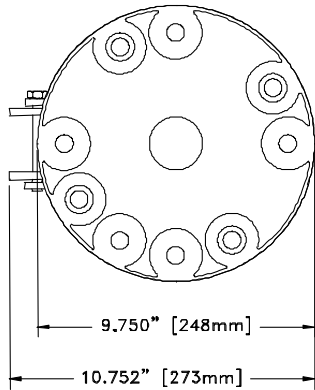
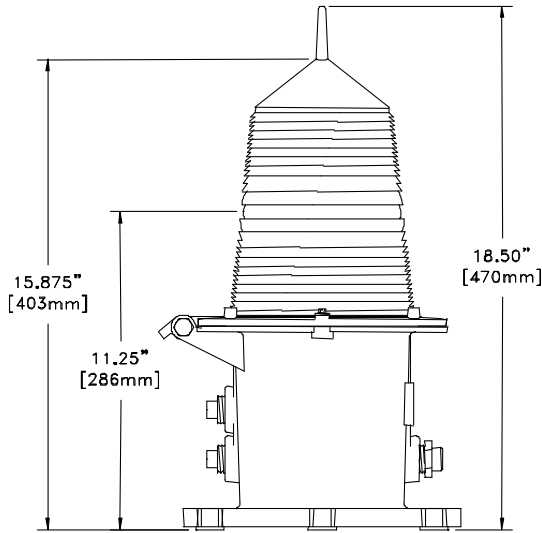
*Specifications subject to change without notice*

**MOUNTING & DIMENSIONS:**

Four each 5/8 inch holes on a 7 7/8 inch bolt circle-- 90° apart. Three-hole base pattern is also available.

**LANTERN DIMENSIONS: SHIPPING DATA:**

4.9 pounds                      10 pounds  
 10in. X 10in. X 18in.        13in X 13in X 21in.



**TYPICAL PERFORMANCE:**

**1x6 LED Array**

Steady Burn

	Red	Green	White	Yellow
Candela	420	441	789	210
Power from Battery	10.7W	17 W	17.9W	17.0W

Vertical Divergence: 7° @ 50%

14° @ 10%

Maximum average power of 5.5W to LEDs.

**1x4 LED Array with 1Watt LEDs**

Steady Burn

	Red	Green	White	Yellow
Candela	137	121	77	75
Power from Battery	5.2W	5.3W	5.6W	5.2W

Vertical Divergence: 7° @ 50%

15° @ 10%

**3x4 LED Array with 1Watt LEDs**

Steady Burn

	Red	Green	White	Yellow
Candela	159	145	112	86
Power from Battery	10.5W	10.5W	11.2W	10.5W

Vertical Divergence: 16° @ 50%

25° @ 10%

Maximum average power of 5.5W to LEDs.

**1x4 LED Array with 3Watt LEDs**

Steady Burn

	Red	Green	White	Yellow
Candela	293	291	209	210
Power from Battery	13.2W	15.6W	16.6W	13.2W

Vertical Divergence: 5-7° @ 50%

10-15° @ 10%

Maximum average power of 5.5W to LEDs.

Form no.:100511E

**www.automaticpower.com**

**Pharos Marine – England**  
 Steyning Way, Hounslow  
 Middlesex, England TW4 6DL  
 Phone: +44-20-8538 1100  
 Fax: +44-20-8577 4170  
[sales@pharosmarine.com](mailto:sales@pharosmarine.com)

**AUTOMATIC POWER – HOUSTON  
 MAIN OFFICE & FACTORY**  
 213 Hutcheson St.  
 Houston, TX USA 77003  
 P.O Box 230738  
 Phone: 713-228-5208  
 Fax: 713-228-3717  
[sales@automaticpower.com](mailto:sales@automaticpower.com)

**Pharos Marine – Singapore**  
 35 Tannery Road  
 05-05 Tannery Block, Singapore  
 347740  
 Phone: +65-6747-9325  
 Fax: +65-6746-0478  
[sales@pharos-api.com](mailto:sales@pharos-api.com)

**Automatic Power – West Coast USA**  
 26 Pizarro Avenue  
 Novato, CA USA 94949  
 Phone: 415-382-6296  
 Fax: 415-382-6299  
[pdolan@automaticpower.com](mailto:pdolan@automaticpower.com)

**Automatic Power – Gulf Coast USA**  
 198 Technology Lane  
 Gray, LA 70359  
 Phone: (985) 223-8700  
 Fax: (985) 223-8710  
[dcummiskey@automaticpower.com](mailto:dcummiskey@automaticpower.com)  
[rleblanc@automaticpower.com](mailto:rleblanc@automaticpower.com)

**Automatic Power – East Coast USA**  
 204 Parkway Drive  
 Williamsburg, VA USA 23183  
 Phone: 757-253-2817  
 Fax: 757-220-8166  
[tfarr@automaticpower.com](mailto:tfarr@automaticpower.com)