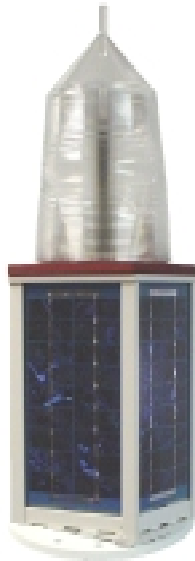


# FA-249801 SELF-CONTAINED LIGHT



**Pharos Marine**   
**Automatic Power**



Featuring a highly efficient Fresnel-type acrylic drum lens system, the FA-249801 is a rugged & compact marine signal lantern. It is particularly suited for applications where there is little sun.

## RANGE

See the next page for example locations. Contact Automatic Power to get a complete set of tables for your location.

## FLASH CHARACTERISTICS

Preset at factory to customer specifications. 255+1 special programmable position. Photocell and all selector switches are located on the top of the LED assembly and are accessible by removing the lens from the quick-release fixture.

## CURRENT SETTING

Preset at factory to customer specifications. Current adjustable by the selector switch in the same way as the flash characteristics.

Form No: 011510D

## ELECTRONICS

- High-efficiency TracSwitcher current controls. 82% of the battery current reaches the LED array on flash. 2 milliamp idle current between flashes.
- Standard 6-volt system giving greater flexibility in selection of batteries.
- Software programmable: Photocell, 365 day timer, low voltage disconnect, special flash rhythm, specialized current settings and solar charge control voltage setting.

## LENS

- 155mm 360° visibility acrylic, high efficiency Fresnel lens with an 8 degree vertical divergence. Unit may be supplied with colored lenses to enhance the daytime signaling performance.

## LEDS

- State of the art high flux STABRITE LED unit. LEDs mounted in a cluster to approximate a marine signal lamp located at the focal point of the lens. Life expectancy in excess of 100,000 hours depending on current density.

## BATTERY OPTIONS

- 32 Amp-Hr 6Volt battery pack or 16 Amp-Hr 6 Volt battery pack for cold climates.

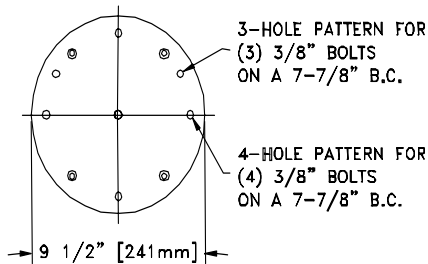
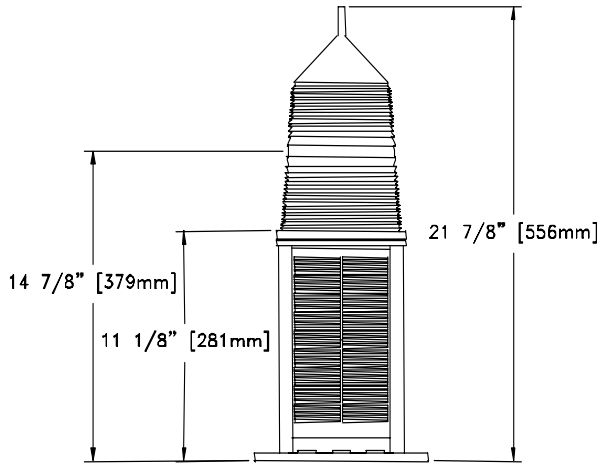
## CONSTRUCTION

- Corrosion resistant & watertight with hydrophobic vent in the battery compartment. Extruded aluminum frame with UV & salt water resistant paint. Tamper resistant screws.
- Four, 3.2 watt, heavy-duty tempered glass-EVA encapsulated solar modules designed for extended service in the marine environment.
- Solar charge controller included.

Patent No.: US 7,111,961 B2



# FA-249801 SELF-CONTAINED LIGHT



## WEIGHT

- With 32 Amp-Hr battery 27lb / 12 kg
- With 16 Amp-Hr battery 21lb / 10 kg

## Typical Performance:

### Nassau, Bahamas

0.4 – 3.6 Flash Code @T=.85

|           | Red | Green | White | Yellow |
|-----------|-----|-------|-------|--------|
| Range mi. | 6.6 | 6.3   | 5.4   | 5.5    |
| Candela   | 88  | 77    | 47    | 51     |

0.5 – 2.0 Flash Code @T=.85

|           | Red | Green | White | Yellow |
|-----------|-----|-------|-------|--------|
| Range mi. | 6.6 | 6.5   | 5.6   | 5.5    |
| Candela   | 87  | 85    | 54    | 50     |

### Spain

0.4 – 3.6 Flash Code @T=.74

|           | Red | Green | White | Yellow |
|-----------|-----|-------|-------|--------|
| Range mi. | 4.4 | 4.1   | 3.4   | 3.7    |
| Candela   | 49  | 40    | 23    | 29     |

0.5 – 2.0 Flash Code @T=.74

|           | Red | Green | White | Yellow |
|-----------|-----|-------|-------|--------|
| Range mi. | 5.1 | 4.9   | 4.1   | 4.3    |
| Candela   | 82  | 72    | 41    | 46     |

### Venice, Italy

0.4 – 3.6 Flash Code @T=.74

|           | Red | Green | White | Yellow |
|-----------|-----|-------|-------|--------|
| Range mi. | 3.2 | 3.0   | 2.0   | 2.6    |
| Candela   | 19  | 16    | 5     | 11     |

0.5 – 2.0 Flash Code @T=.74

|           | Red | Green | White | Yellow |
|-----------|-----|-------|-------|--------|
| Range mi. | 4.0 | 3.7   | 3.2   | 3.4    |
| Candela   | 38  | 29    | 18    | 22     |

[www.automaticpower.com](http://www.automaticpower.com)

**Pharos Marine Ltd.**  
Steyning Way, Hounslow  
Middlesex, **England** TW4 6DL  
Phone: 44-20-8538-1100  
Fax: 44-20-8577-4170  
[sales@pharosmarine.com](mailto:sales@pharosmarine.com)

**HOUSTON  
MAIN OFFICE & FACTORY**  
213 Hutcheson St.  
Houston, TX USA 77003  
P.O Box 230738  
Phone: 713-228-5208  
Fax: 713-228-3717  
[sales@automaticpower.com](mailto:sales@automaticpower.com)

**AB Pharos Marine Pte Ltd.**  
35 Tannery Road  
05-05 Tannery Block, **Singapore** 347740  
Phone: 65-6-747-9325  
Fax: 65-6-746-0478  
[abpharos@singnet.com.sg](mailto:abpharos@singnet.com.sg)

**Automatic Power, Inc.**  
1340 Westbank Expressway  
Westwego, LA USA 70094  
Phone: 504-347-2384  
Fax: 504-348-2306  
[dcummiskey@automaticpower.com](mailto:dcummiskey@automaticpower.com)

**Automatic Power, Inc.**  
26 Pizarro Avenue  
Novato, CA USA 94949  
Phone: 415-382-6296  
Fax: 415-382-6299  
[dolantp@aol.com](mailto:dolantp@aol.com)

**Automatic Power, Inc.**  
204 Parkway Drive  
Williamsburg, VA USA 23185  
Phone: 757-253-2817  
Fax: 757-220-8166  
[APatlantic@aol.com](mailto:APatlantic@aol.com)