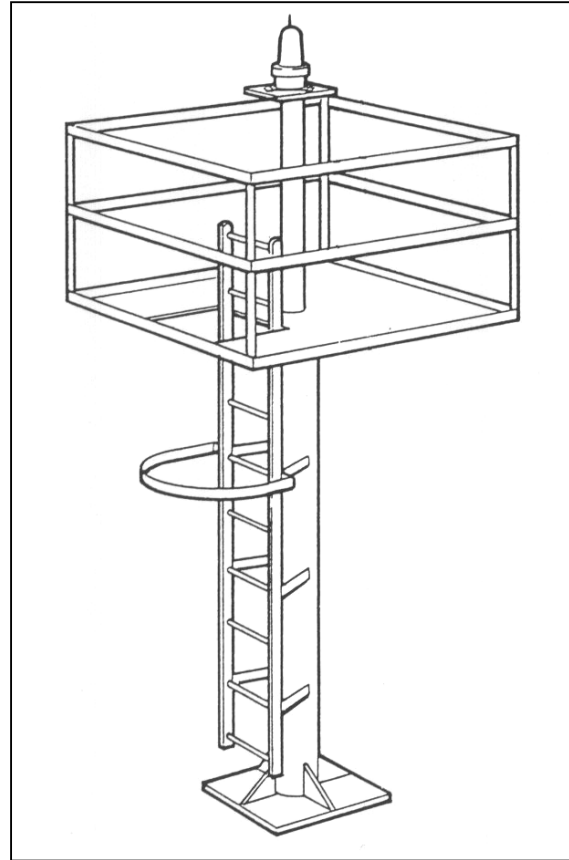
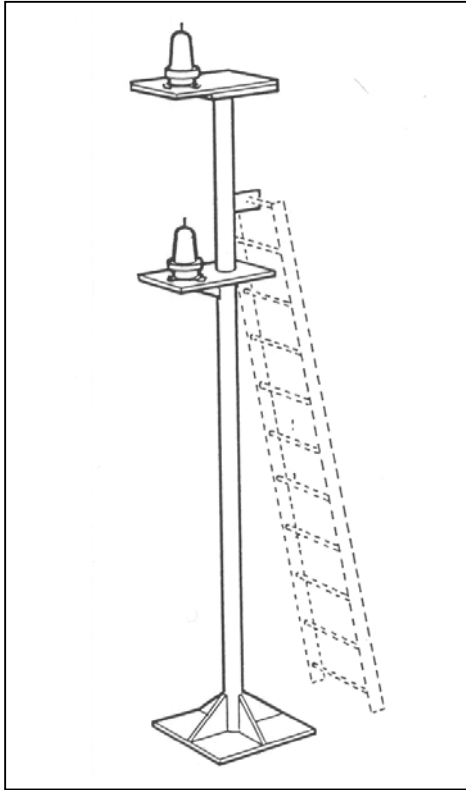


## GALVANISED STEEL POSTS

A standard range of galvanised steel posts for the mounting of jetty lights, harbour lights and dolphin lights. Compatible with our SZ range of standard solar powered systems.



Material: Mild Steel  
Finish: Galvanised

Post Type	Post Height	Weight (approx.) without ladder	Weight (approx.) with ladder
PS-2	2m	20Kg	60Kg
PS-3	3m	30Kg	150Kg
PS-4	4m	50Kg	280Kg
PS-5	5m	90Kg	400Kg
PS-6	6m	140Kg	550Kg
PS-7	7m	200Kg	760Kg
PS-8	8m	300Kg	1000Kg
PS-9	9m	400Kg	1250Kg
PS-10	10m	550Kg	1500Kg

*The details opposite are based on our standard post which is designed for mounting two lanterns.*

*Fixing details available on request.*

*Weights and fixing details may vary depending upon additional equipment fitted such as a Battery Charger, Solar System or Daymark.*

**Pharos Marine**  **Automatic Power**

AB Pharos Marine Ltd, Steyning Way, Hounslow, Middlesex, TW4 6DL, England Tel: 44-20-8538 1100, Telefax: 44-20-8577 4170

Website: [www.pharosmarine.com](http://www.pharosmarine.com) Email: [sales@pharosmarine.com](mailto:sales@pharosmarine.com)

Automatic Power Inc., P.O Box 23078, Houston, Texas 77223-0738, U.S.A Tel: 1 (713) 228-5208, Telefax: 1 (713) 228-3717

AB Pharos Marine Pte Ltd., 35 Tannery Road, #05-05, Tannery Block, Ruby Industrial Complex, Singapore 347740 Tel: (65) 6747-9325, Telex: RS 33272 PHAROS, Telefax: (65) 6746-0478