



# POSEIDON

## *Warning System*

**Low-cost and Reliable Warning System  
for  
Platforms, Industrial Facilities and  
Hazardous Rated Areas**



# Poseidon

## Warning System

- Complete Turn Key Solution
- Low Cost
- Reliable
- Virtually maintenance free
- Ease of installation

# Poseidon

## Warning Signal

Pharos Marine/Automatic Power, Inc. offers refineries and industrial facilities an economical and reliable warning system at minimal cost and low yearly maintenance.

The Poseidon warning signal is based on the LIEX 710-11 sound signal that has a proven service record of operating in the harsh marine environment for over 30 years. The 100-watt speaker with heavy duty nylon diaphragm is housed inside an heavy duty, corrosion-resistant, cast aluminum housing. The 10mm thick house walls provide a vandal resistant enclosure for the speaker and electronics. The electrical and remote controls are mounted inside the top of the horn.

### Features:

Completely self-contained with modular solar panel/battery power supply. Battery sized to sound the signal for 24 hours continuously. (AC power/Battery option available).

- Low Voltage and Low power consumption- 12 Volt Input, 40 Watts for 1 Mile Range
- Low installation cost – connection to electrical grid not needed
- Low maintenance costs – Heavy Duty Cast Aluminum Housing, no moving parts
- Minimal preventative maintenance required to ensure 100% availability – IP 66 Rated. NMEA 4X, non-corrosive
- Manual On/Off Test/Control Switch and Remote activation options (UHF, VHF, Satcomm, or Cellular)
- 660 Hz tones tuned for optimal sound propagation in beach/surf installations
- Two Coded Signals available
- Omni-directional
- Optional GPS synchronization to synchronize the sounding of several horns at a given locale
- Optional Flashing Warning Light for visual
- Factory Mutual certified for NEC Class 1 Division 2 Hazardous Areas and ATEX Certified EEx “sed” Zone 1 by DEMKO

For Zone 1 applications, control electronics are located in a separate EEx ‘d’ housing.

### Optimize Siting

Because the Poseidon warning system is not dependent on AC power, it can be located where it is needed without regard to the location of existing power lines or the expense of installing new electrical runs.

### Low Maintenance

The Poseidon system is designed to be maintenance-free. Solar panel is equipped with bird spikes to prevent bird soiling and is cleaned by rainfall. A routine change of battery every three to four years is all the maintenance required.

### Vandal resistant

All components are located high above ground level to prevent vandalism and theft of items. Option--horn can be made to sound if control box is opened or solar panel is disconnected.

# *Poseidon*

## Warning Signal

### Specifications:

#### Input

Voltage: 12 VDC nominal

Current: 4.5 amps at 12 volts during sounding

#### Output

Frequency: 640-680 Hz  $\pm$  2%

SPL: 126.5 db at 1 meter for one mile nominal range

#### Coding

Multiple codes, user selectable

#### Environmental

Marine atmosphere

Temperature: -25° C to + 55° C

100% relative humidity

Survival wind: 250 kph

#### Battery

12V Photovoltaic, AGM, Deep-cycle, 30 amp-hrs  
(AC battery charger/Battery option available)

#### Solar Panel

12V marine grade solar panel sized to fit solar insolation at site.

#### Radio for remote activation

INMARSAT D+ SC-201 Communicator, VHF, UHF, or Cellular

#### Optional Warning Light

Quick flashing strobe light to provide visual indication of alarm.

#### GPS synchronization

Uniflash III to allow two or more horns to sound in sync.

#### Weight

70 kg

## Poseidon Control System

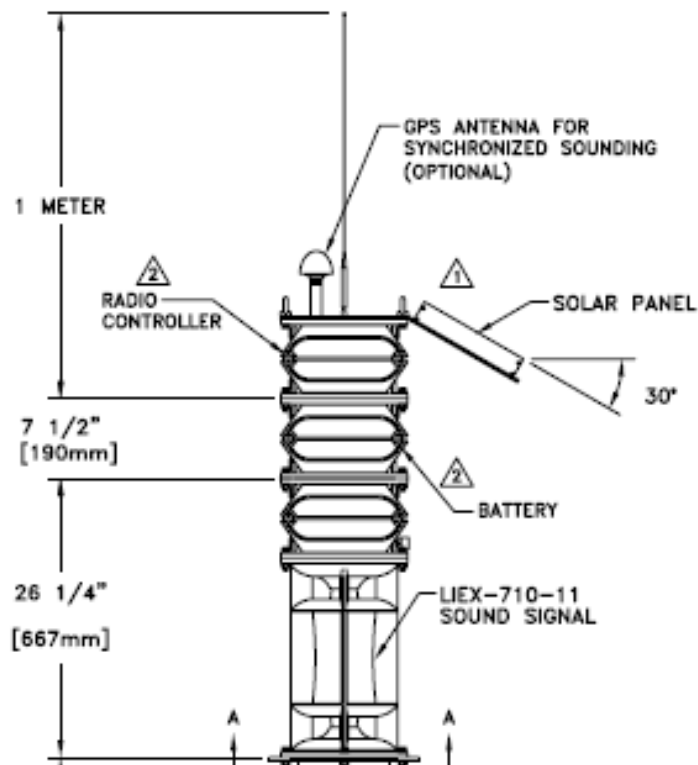
Automatic Power offer several remote control options including:

- INMARSAT D+ SC201 Communicator
- VHF
- UHF 2.4 and 9 GHz spread-spectrum
- GSM

The warning horn can be activated by various sensors such as gas leak detectors, liquid level sensors, etc.

Unit sends alert if battery voltage or solar panel charging current is low.

All Poseidon warning horns will send reply signal back to the control center indicating that it is operating. Monthly tests to ensure proper operation of the horns can be conducted to ensure horn readiness.



Poseidon LIEX 710 Warning Horn