

# SA-850/3A HEAVY DUTY TWO-MILE FOG SIGNAL



The basic building block of the SA-850/3A horn is the ELU 800/02 emitter. **This compact aluminum horn is the only horn on the market with a steel diaphragm giving unmatched service life and reliability.** The horn is tuned at an optimum frequency of 835 HZ to maximize its range rating for both U. S. Coast Guard and IALA criteria. Three ELU 800/02 emitters stacked in a vertical array is designated as the SA-850/3A. This horn is U. S. Coast Guard approved for two-mile range with an output of 133.5 db with 12 amp input over a range of 11-14 volts. Audio output is omnidirectional.

Proven in over thirty years of service in the marine environment, the SA-850/3A horn's rugged construction, compact size, and water proof design approved for IP-55 rating by Factory Mutual makes this signal ideal for mounting on offshore platforms, FPSO vessels, navigation buoys, CALM, SALM, and SPM buoys. Standard horns have the coding timer and oscillator located within the signal housing.

#### Dimensions:

- **Weight:** 200 kg.
- **Shipping weight:** 220 kg.
- **Height:** 1800 mm.

#### SA-850/3A EX

The SA-850/3A EX Emitter is identical to the SA-850/3A with the addition of the required components to meet **Factory Mutual approval for use in Class 1, Division 1, Group D locations.**

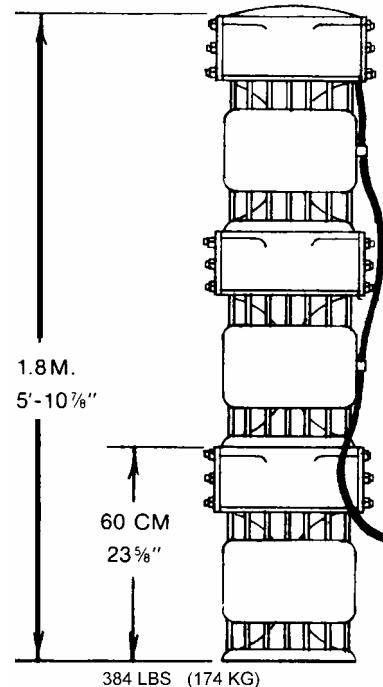
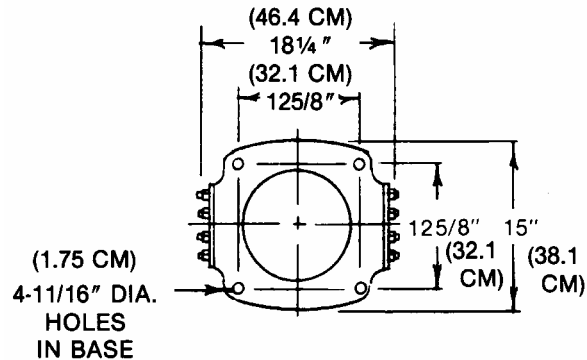
#### SA-850/3A EX ZONE 1

The SA-850/3A EX is also approved under **BASEEFA Certificates 81009 and 82006 for use in Zone 1 locations.** The approval requires that the coding timer and oscillator are located in a separate housing.

#### SA-850/3A EX ZONE 1 Super B

For North Sea applications, the foghorn is configured with control electronics for operating as both a two-mile signal and a one-half mile signal. Failure of the two mile signal is automatically detected and the horn is reconfigured as a one half mile emergency signal. The microprocessor-based control electronics include remote control terminals for FD-310 fog detector or manual

control, remote monitoring terminals, synchronizing terminals for both hardwired or UNIFLASH®-II wireless synchronization, current monitors on each emitter, an RS-485 interface for connection to a local area network, an RS-232 interface for remote monitoring by radio modem, single or dual coding timers, and three oscillators. Input voltage may range is 12-30 Volts DC. Input current is 12 amps. Power may be supplied by primary batteries, secondary batteries float charged by an AC battery charger or solar array or an AC/DC power supply. **This horn is approved under BASEEFA Certificates 81009 and 82006.**



**Factory Mutual approval for use in NEC Class 1, Division 1, Group D locations.**

UNIFLASH® is a registered trademark of Automatic Power, Inc.