

TVR Series

Zone 1 Battery Chargers



The TVR Series Slim Pack battery chargers feature a transformer less design allowing the charger to be more efficient and compact than standard chargers. The size and efficiency of this charger make it ideal for mounting in hazardous area enclosures and it is available as an ATEX certified EEx-d IIB T4/T5/T6 enclosure. Zone 2 certified units are also available. Rated for exterior use the copper free cast aluminum housing has an Ingress Protection certification of IP65/66/67. A corresponding stainless steel, Zone 1 rated battery box with nickel cadmium or VRLA lead acid batteries certified for Ingress Protection IP 56 is also available. Charger, battery box, junction boxes, etc. are available in a skid mounted configuration.

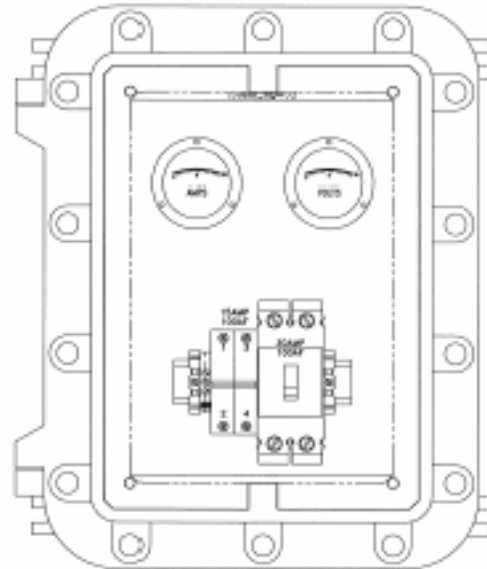
The Slim pack chargers rectify the incoming AC voltage and step it down to the appropriate level for battery charging. The input to the charger is 115/230 VAC 47-63 Hz auto ranging.

The charger has adjustments for both charging current and charging voltage. It has overvoltage protection and thermal shutdown. It has 1 to 3 outputs allowing it to charge as many as three battery banks simultaneously up to a maximum of 200 watts output. It comes in 12V, 24V or 48V models with optional ground fault interrupters, external operators, switches and other options.

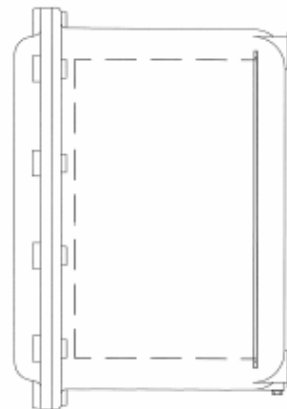
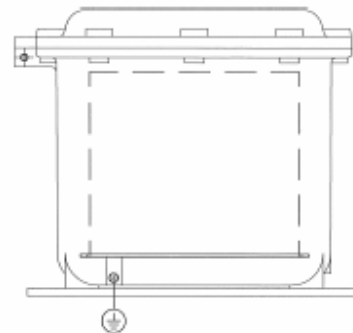
Enclosure size varies depending on options included.

Model	AC Input Volts*	DC Output Volts	DC Output Amps	Special Features	Weight
TVR 4312	120/240V 47-63 Hz	12V	14 Amps	Multiple Output	100 lbs.
TVR 2224	120/240V 47-63 Hz	24	8 Amps	Multiple Output	100 lbs.
TVR 1048	120/240V 47-63 Hz	48V	4 Amps	Multiple Output	100 lbs.

Form No.: 031010



FRONT VIEW



SIDE VIEW

