

BATTERY OPERATED BARGE LIGHTS



Automatic Power Inc., manufactures five models of running lights. Types I, II, III, IV and VI, to meet the needs of either the inland or ocean going operator for battery operated running lights. These lights meet the technical requirements of the 72 collision regulations for barges.

VISIBILITY

The appropriate lamp must be selected so that the navigation lights meet the range requirements of the applicable Rules of the Road. Ranges are as follows:

Lamp	Color	Range (Mi.)
6.2V, .25 Amp C-8 Filament	White	4
	Green	2
	Red	2
	Yellow	3
6.2V, .46 Amp C-8 Filament	White	5
	Green	3
	Red	3
	Yellow	5

COLORS

Running lights are available to project red, green, yellow or white light.

HORIZONTAL ARC OF VISIBILITY

The required horizontal arc of visibility should be specified when ordering running lights. The inside portions of portable lights are obscured to provide the proper arc of visibility rather than furnishing an external screen.

REQUIRED SERVICING

The desired interval between lamps and/or battery changing is one factor to be considered in selecting a running light.

NUMBER OF NIGHTS OF OPERATION BETWEEN SERVICING

For .25 Amp Lamp

	Batteries	Lamps
Type I	1	60
Type II	6	60
Type III	135	60
Type IV	135	300
Type VI	275	420

For .46 Amp Lamp

	Batteries	Lamps
Type I	Do not use this lamp	
Type II	Do not use this lamp	
Type III	75	80
Type IV	75	300
Type VI	150	420

PORTABILITY

Running lights Types I, II, III and IV are portable and can be easily moved from one barge to another as the tow configuration changes. Type VI should be permanently attached to the barge.

STANDARD EQUIPMENT

All running lights include an on/off switch, photocell, battery, lamp and required sector screening as standard equipment.

Type I

This highly portable ten pound light is best suited for short haul operations. It will operate for one night and then the battery, mounted inside the lantern, must be recharged for approximately eight hours. The battery will last for 200 to 300 charge/recharge cycles. The single lamp provided will operate for approximately 60 nights before it needs replacement.

Auxiliary equipment (Type I only)

The battery charger (not standard equipment with the lantern) can be carried on the towboat and plugged directly into the side of the lantern. The self limiting charger operates from 110 volt, 50 or 60 cycle AC current and can be left indefinitely charging the battery.

Type II

The Type II light operates from a disposable battery with a six-night operating cycle. Batteries can be stored for three to four months without damage. As with Type I, the lamp will operate for 60 days before replacement is necessary.

Type III

The Type III running light consists of a lantern and separate battery box to provide a longer service period. The unit requires five battery cells which are housed in a fiberglass box. The standard interconnecting cable, with waterproof connector, is five feet long; however, longer cable lengths can be furnished if specified.

Type IV

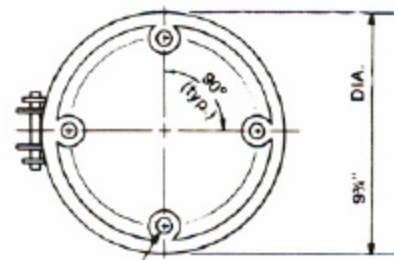
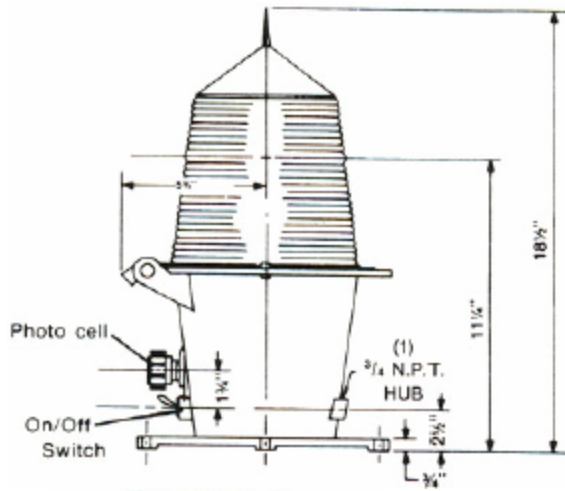
The Type IV light is identical to the Type III except that a four place lampchanger replaces the single lamp and support. This mechanism automatically replaces a burned out lamp with a new one, extending the lamp service period.

Type VI

The Type VI heavy duty, non-portable light is designed to be permanently mounted on the barge deck. The steel fabricated battery box is hot dipped galvanized- The lantern and screen mount directly atop the battery box. A large capacity battery with a 6 place lamp-changer provides extended service required for sea going barges.

Solar Powered versions are available!

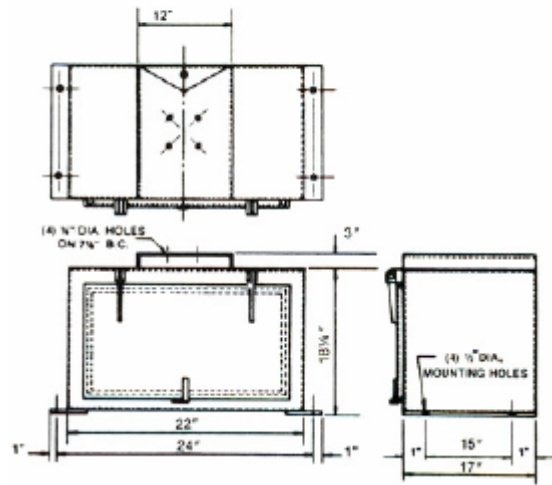
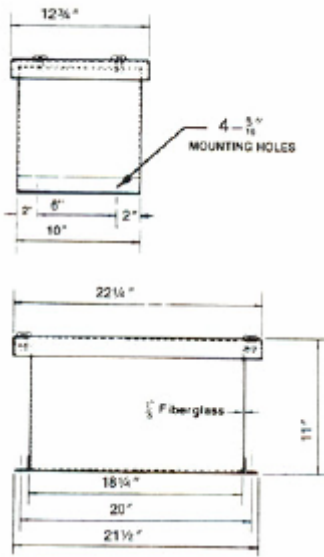
Lantern for all Types



(4) 3/4" DIA. HOLES
ON 7/8" B.C.

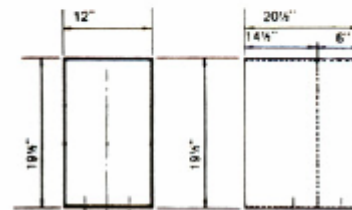
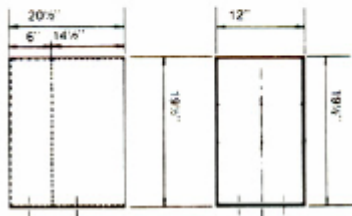
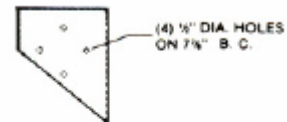
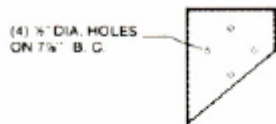
**Types III and IV
Battery Box**

Type VI Battery Box

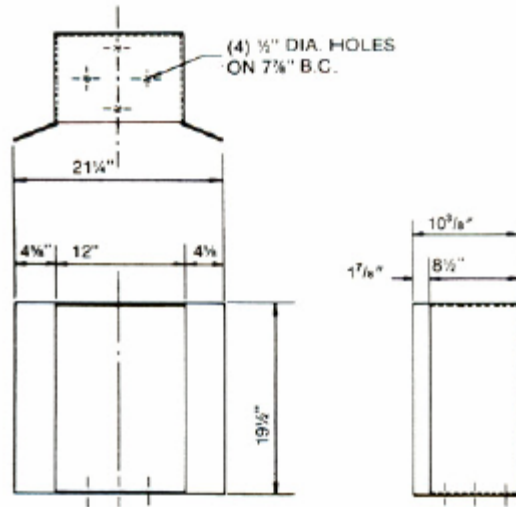


Type VI Starboard Screen

Type VI Port Screen



Type VI Stern Screen



www.automaticpower.com

Pharos Marine – England
 Steyning Way, Houndslow
 Middlesex, England TW4 6DL
 Phone: 44-20-8538-1100
 Fax: 44-20-8577-4170
sales@pharosmarine.com

**AUTOMATIC POWER – HOUSTON
 MAIN OFFICE & FACTORY**
 213 Hutcheson St.
 Houston, TX USA 77003
 P.O Box 230738
 Phone: 713-228-5208
 Fax: 713-228-3717
sales@automaticpower.com

Pharos Marine – Singapore
 35 Tannery Road
 05-05 Tannery Block, Singapore
 347740
 Phone: 65-6-747-9325
 Fax: 65-6-746-0478
abpharos@singnet.com.sg

Automatic Power – West Coast USA
 26 Pizarro Ave.
 Novato, CA USA 94949
 Phone: 415-382-6296
 Fax: 415-382-6299
dolantp@aol.com

Automatic Power – Gulf Coast USA
 1340 Westbank Expressway
 Westwego, LA USA 70094
 Phone: 504-347-2384
 Fax: 504-348-2306
dcummiskey@automaticpower.com

Automatic Power – East Coast USA
 204 Parkway Drive
 Williamsburg, VA USA 23183
 Phone: 757-253-2817
 Fax: 757-220-8166
APIatlantic@aol.com

