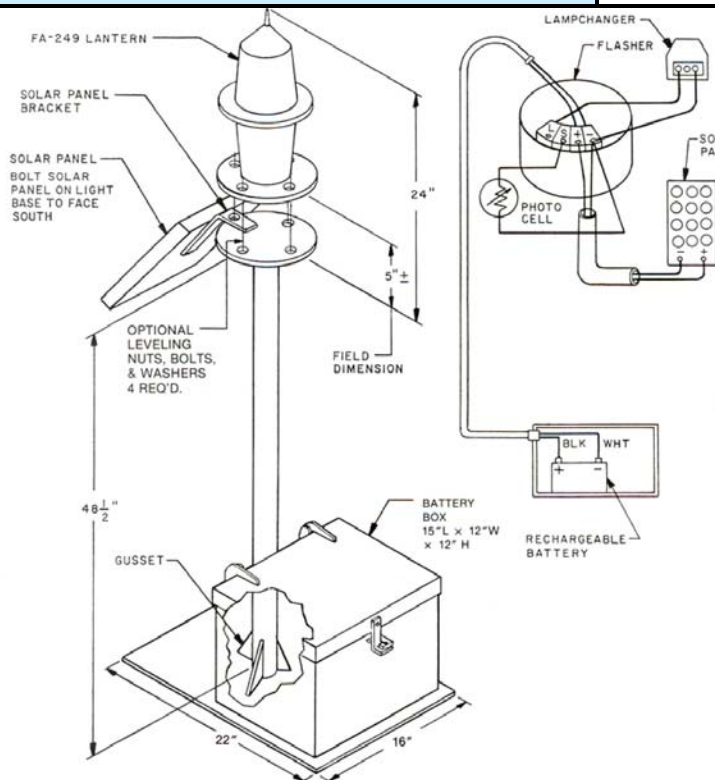


SINGLE LIFT ASSEMBLY CLASS C ZONE

The Automatic Power Class "C" single lift assembly Aids to Navigation package is a rugged compact unit designed for applications requiring a single lantern without a fog signal. It meets or exceeds U.S. Coast Guard requirements for Class "C" Aids to Navigation as specified in 33CFR subpart 67. This galvanized self contained unit contains a solar power system with battery and battery box. The solar array can be positioned in the field to assure it faces due south.

TECHNICAL DATA

- **Lantern:** FA-249 marine lantern with 155 mm red or clear acrylic lens. APL-1297A six place automatic repositioning lampchanger, APF-247-P solid slate programmable flasher, photocell and optional leveling bolts.
- **Solar array:** Site Determined
- **Battery:** 30 day capacity for lantern
- **Construction:** Steel, hot dip galvanized
- **Weight:** 153 pounds



www.automaticpower.com

Pharos Marine – England
Steyning Way, Houndslow
Middlesex, England TW4 6DL
Phone: 44-20-8538-1100
Fax: 44-20-8577-4170
sales@pharosmarine.com

**AUTOMATIC POWER – HOUSTON
MAIN OFFICE & FACTORY**
213 Hutcheson St.
Houston, TX USA 77003
P.O Box 230738
Phone: 713-228-5208
Fax: 713-228-3717
sales@automaticpower.com

Pharos Marine – Singapore
35 Tannery Road
05-05 Tannery Block, Singapore
347740
Phone: 65-6-747-9325
Fax: 65-6-746-0478
abpharos@singnet.com.sg

Automatic Power – West Coast USA
26 Pizarro Ave.
Novato, CA USA 94949
Phone: 415-382-6296
Fax: 415-382-6299
dolantp@aol.com

Automatic Power – Gulf Coast USA
1340 Westbank Expressway
Westwego, LA USA 70094
Phone: 504-347-2384
Fax: 504-348-2306
dcummiskey@automaticpower.com

Automatic Power – East Coast USA
204 Parkway Drive
Williamsburg, VA USA 23183
Phone: 757-253-2817
Fax: 757-220-8166
APlatlantic@aol.com