



APRB-288 ROTATING BEACON

The APRB-288 Rotating Beacon is designed to provide a long range signaling capability with limited power sources in remote locations where no more than an annual maintenance visit is planned.

The optical unit comprises an octagonal arrangement using up to eight Fresnel lenses rotated around a wide choice of stationary light sources. Replacement of selected panels with blanking plates provides for a wide variety of flash codes including complex group flashes and alternating colors commonly used on airway beacons.

Features

- Ranges in excess of 23 nautical miles
- Operates from 12 Volt or 24 Volt DC supply
- Ideal for use with solar power
- Microprocessor controlled four phase stepper motor drive. 1.5 watts maximum power consumption
- 32 pre-programmed, hex-switch selectable speeds from 0.5 to 10 rpm. Easily accessed and changed in the field
- Lamp change and focusing access hatch in top of beacon. No need to remove lens cover
- Low maintenance costs with highly reliable, proven drive system. 250 drive units in service worldwide
- Lightweight, compact, easy to handle and install
- Built-in day light control
- Seamless, molded, 500mm polycarbonate lens cover protects the optical elements from environmental contamination
- Monitor ready when fitted with the APCL-5/10 FLASHCHANGER® which includes an RS-232 interface to provide a seamless interface with a radio modem monitoring system
- Simple interconnection/control of standby optic with APCL-5 FLASHCHANGER®



Options

- Wide range of lamp options - lamp changer / twin filament, 12 Volt and 120/220 metal halide lamp with option of two place lampchanger
- 120/220VAC input available; A 1 watt cooling fan is mounted in the base of the optic for loads exceeding 120 watts
- Extended Range Model with 24VDC input and total lamp life reduced to one year is available
- Two lens positions (narrow and wide) give the capability to adjust the vertical divergence and flash length to customer requirements
- Magnetic reed switch in the base of the beacon to provide rotation monitoring

SPECIFICATIONS

**CORPORATE HEADQUARTERS
& MANUFACTURING
OPERATIONS**
Houston, TX
Phone: +1-713-228-5208
Fax: +1-713-228-3717
sales@automaticpower.com

U.S. LOCATIONS

PMAPI GULF OF MEXICO
Gray, LA
Rene "Boogie" LeBlanc
Phone: +1-985-223-8700
Fax: +1-985-223-8710
rleblanc@automaticpower.com

PMAPI WEST COAST
Novato, CA
Pete Dolan
Phone: +1-415-382-6296
Fax: +1-415-382-6299
pdolan@automaticpower.com

INTERNATIONAL LOCATIONS

AB PHAROS MARINE PTE LTD
Singapore
Phone: +65-6747-9325
Fax: +65-6746-0478
sales@pharos-api.com

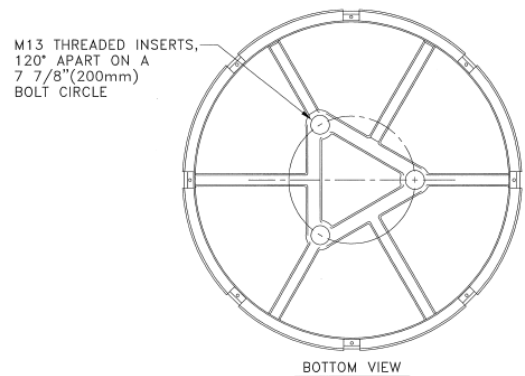
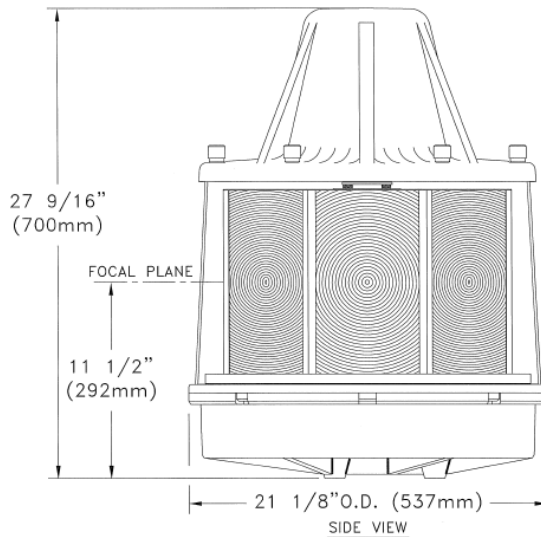
**PHAROS MARINE LTD
MANUFACTURING OPERATIONS**
London, UK
Phone: +44-20-8538 1100
Fax: +44-20-8577 4170
sales@pharosmarine.com

**SIMS SYSTEMS LTD
MANUFACTURING OPERATIONS**
Great Yarmouth, UK
Phone: +44-1493 659271
Fax: +44-1493 601882
info@simms-systems.com

www.automaticpower.com

Dimensions:	470mm (H) x 536mm (Diameter)
Weight:	20kg
Voltage Supply:	12/24-volt DC version or 220 / 240 VAC input
Power Consumption:	Lamps-200 watt max, Drive Motor-1.5 watt max, Monitoring Interface-1 watt
Power Source:	Solar Power, Battery, AC/DC Power Supply Unit
Lamp Voltage Regulation:	Extended pulse width modulated including regulating 24 Volts input down to 12 Volt lamp or 12 Volt input down to 6.3 volt lamp. 3% loss maximum
Day/Night Control:	External photocell. Rotation independent of photocell
Beam Configuration:	8 lens panels in octagonal form, 205 mm focal length
Materials:	Painted Cast Aluminum Base, 205 mm focal length molded acrylic lens panels, and molded acrylic lens cover
Monitoring Output:	RS-232 (4800,N,8,1) Data Stream Format
Functions Monitored:	Rotation Speed, System Voltage, Number of Good Lamps in Lampchanger, Photocell Status, System Status
Secondary Optic Control:	Auto activation of secondary optic if primary optic "system status normal" signal is not received by secondary optic.

*Specifications subject to change without notice.



ADDITIONAL INFORMATION

12 VOLT APRB-288

Halogen Lamp C-8 Filament	Peak Intensity	EFI (FL-10)
12V, 35W	352,000	83,000
12V, 50W	427,000	115,000
12V, 75W	438,000	128,500
12V, 109W	665,400	236,000

Filter Factors: red = 0.24, green = 0.21, yellow = 0.61

24 VOLT APRB-288ER (EXTENDED RANGE)

Halogen Lamp C-8 Filament	Peak Intensity	EFI (FL-10)
13.1V, 40W	460,000	109,000
13.1V, 57W	559,000	150,000
13.1V, 85W	573,000	167,000
13.1V, 114W	720,400	204,000

120/220 VAC APRB-288

Halogen Lamp C-8 Filament	Peak Intensity	EFI (FL-10)
150W MH 10K Hr.	626,000	281,000
150W MH 4K Hr.	912,000	440,000
34W MH 10K Hr.	610,000	260,000