

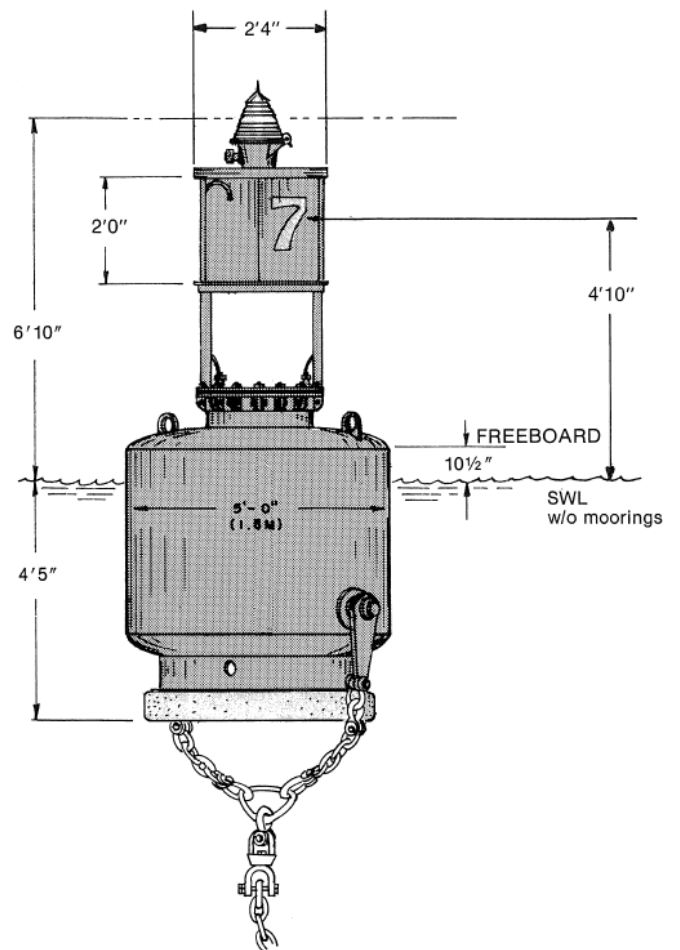


BL-511 BUOY

The BL-511 is a standard U. S. Coast Guard steel buoy designed and constructed for maximum visual range in shallow water and applications.

Related/Optional Equipment

Lanterns:	FA-249 LED Lantern WOA (Wide Open Angle) Lantern FA-85801 LED Flickering Lantern
Weather Report:	WX-Pro with AIS
Monitoring Systems:	AIS - Atonis System GSM Cell Phone Monitoring System DGPS – Differential GPS Positioning System
Synchronization:	Uniflash III Wireless
Top Mark:	Mounted Duplex Lantern Stand
Solar Power System:	Various Outputs - Dual & Triple Winged Available
Solar Batteries:	12V 115 AH Maintenance-free, Sealed, Deep Cycle, Lead Acid
Solar Battery Box:	Mounted Externally on Stand or in Buoy Float
Battery Box Capacity:	(2) 12V 115AH Batteries
Mooring Bridle:	24.5mm x 2,134mm (1" X 84")
Mooring Chain:	24.5mm (1")
Sinker:	1,360kg (3,000 lbs.)



**CORPORATE HEADQUARTERS
& MANUFACTURING
OPERATIONS**

Houston, TX
Phone: +1-713-228-5208
Fax: +1-713-228-3717
sales@automaticpower.com

U.S. LOCATIONS

**PMAPI GULF OF MEXICO
Gray, LA**

Rene "Boogie" LeBlanc
Phone: +1-985-223-8700
Fax: +1-985-223-8710
rleblanc@automaticpower.com

**PMAPI WEST COAST
Novato, CA**

Pete Dolan
Phone: +1-415-382-6296
Fax: +1-415-382-6299
pdolan@automaticpower.com

INTERNATIONAL LOCATIONS

**AB PHAROS MARINE PTE LTD
Singapore**

Phone: +65-6747-9325
Fax: +65-6746-0478
sales@pharos-api.com

**PHAROS MARINE LTD
MANUFACTURING OPERATIONS
London, UK**

Phone: +44-20-8538 1100
Fax: +44-20-8577 4170
sales@pharosmarine.com

**SIMS SYSTEMS LTD
MANUFACTURING OPERATIONS
Great Yarmouth, UK**

Phone: +44-1493 659271
Fax: +44-1493 601882
info@simms-systems.com

www.automaticpower.com

SPECIFICATIONS

Physical Characteristics (No Mooring)

Buoy Weight:	1,746 kg (3,850 lbs.)
Buoy Draft:	1.37 m (4' 6")
Focal Height of Light:	2.08 m (6' 10")
Freeboard:	266.7 mm (10 ½")
Pounds per Inch Immersion:	105

Operational Characteristics (Nominal)

Daymark Visual Range:	1.8 NM
Radar Range:	2.7 NM
Mooring Depth (Min.):	3 m (10' 0")
Mooring Depth (Max. w/ Chain):	27.4 m (90' 0")

*Specifications subject to change without notice.

