



## BL-620 BUOY

The BL-620 is a standard U. S. Coast Guard steel buoy designed for rivers, estuaries, and moderately exposed open seas. A tail tube design, the BL-620 maximizes the focal height and visual range of the light relative to the diameter of the buoy. It is designed to translate wave action into vertical movements and to minimize rocking motions of the buoy.

### Related/Optional Equipment

<b>Lanterns:</b>	FA-249 LED Lantern WOA (Wide Open Angle) Lantern Self-Contained Lantern Flickering Lantern
<b>Horn:</b>	LIEX 710/051
<b>Radar Beacon:</b>	Phalcon-2000
<b>Weather Report:</b>	WX-Pro with AIS
<b>Monitoring Systems:</b>	AIS - Atonis System GSM Cell Phone Monitoring System DGPS – Differential GPS Positioning System
<b>Synchronization:</b>	Uniflash III Wireless
<b>Top Mark:</b>	Mounted Duplex Lantern Stand
<b>Solar Power System:</b>	Various Outputs - Dual & Triple Winged Available
<b>Solar Batteries:</b>	12V 115 AH Maintenance-free, Sealed, Deep Cycle, Lead Acid
<b>Solar Battery Box:</b>	Mounted Externally on Bell Stand
<b>Battery Box Capacity:</b>	(2) 12V 115AH Batteries
<b>Mooring Bridle:</b>	28mm x 2134mm (1 1/8" X 84")
<b>Mooring Chain:</b>	28mm (1 1/8")
<b>Sinker:</b>	3175kg (7000 lbs.)



**BL-620 Buoy with FA-249 LED and Satellite Communications**

### Features

- Standard buoy has 2 lifting eyes and 2 mooring eyes
- Tower is welded to the body of the buoy on the offered model
- Tower design incorporates safety ring and hand holds
- Standard buoy conforms with U. S. Coast Guard
- Foaming of the buoy hull is optional
- Customizable Systems - lanterns, power systems, and other equipment (See Related/Optional Equipment Table)

## US MAIN OFFICE

Sales, Manufacturing & Service  
10810 W Little York Rd Ste 130  
Houston, Tx 77041-4051 USA

sales@automaticpower.com  
T: 713-228-5208  
F: 713-228-3717

## US GULF OF MEXICO

Sales and Service  
198 Technology Lane  
Gray, LA 70359 USA

rleblanc@automaticpower.com  
T: +1-985-223-8700  
F: +1-985-223-8710

## UK MAIN OFFICE

Sales and Service  
14 Castle Mews  
TW12 2NP, London  
United Kingdom

sales@pharosmarine.com  
T: +44-20-8538-1100  
F: +44-20-8577-4170

## UK NORTH SEA

Manufacturing and Service  
Riverside Road  
Gorleston, Great Yarmouth  
United Kingdom

T: +44-14-9365-9271  
F: +44-14-9360-1882

## SINGAPORE

Sales and Service  
35 Tannery Road  
#05-05 Tannery Block  
Ruby Industrial Complex  
Singapore, 347740

sales@pharos-api.com  
T: +65-6747-9325  
F: +65-6746-0478

automaticpower.com

©2017 Pharos Marine Automatic Power, Inc.  
All rights reserved.

All values mentioned in this document are  
typical values; Data and specifications are  
subject to change without notification.

## SPECIFICATIONS

### Physical Characteristics (No Moorings)

<b>Buoy Weight:</b>	2730kg (6000 lbs.)
<b>Focal Height of Light:</b>	3300mm (10' 5")
<b>Buoy Diameter:</b>	1935mm (6' 0")
<b>Buoy Length Over All:</b>	6000mm (18' 9 3/16")
<b>Buoy Hull:</b>	6mm (1/4") Steel
<b>Freeboard:</b>	750mm (2' 0")
<b>Minimum Freeboard:</b>	300mm (12")
<b>Counterweight:</b>	Cast Iron
<b>Pounds/Inch Immersion:</b>	150 lbs./inch
<b>Kg/mm Immersion:</b>	17.75
<b>Paint System:</b>	2 Coats Zinc Rich, Epoxy Primer; 2 Colored Top Coats, Antifouling, Underwater Area

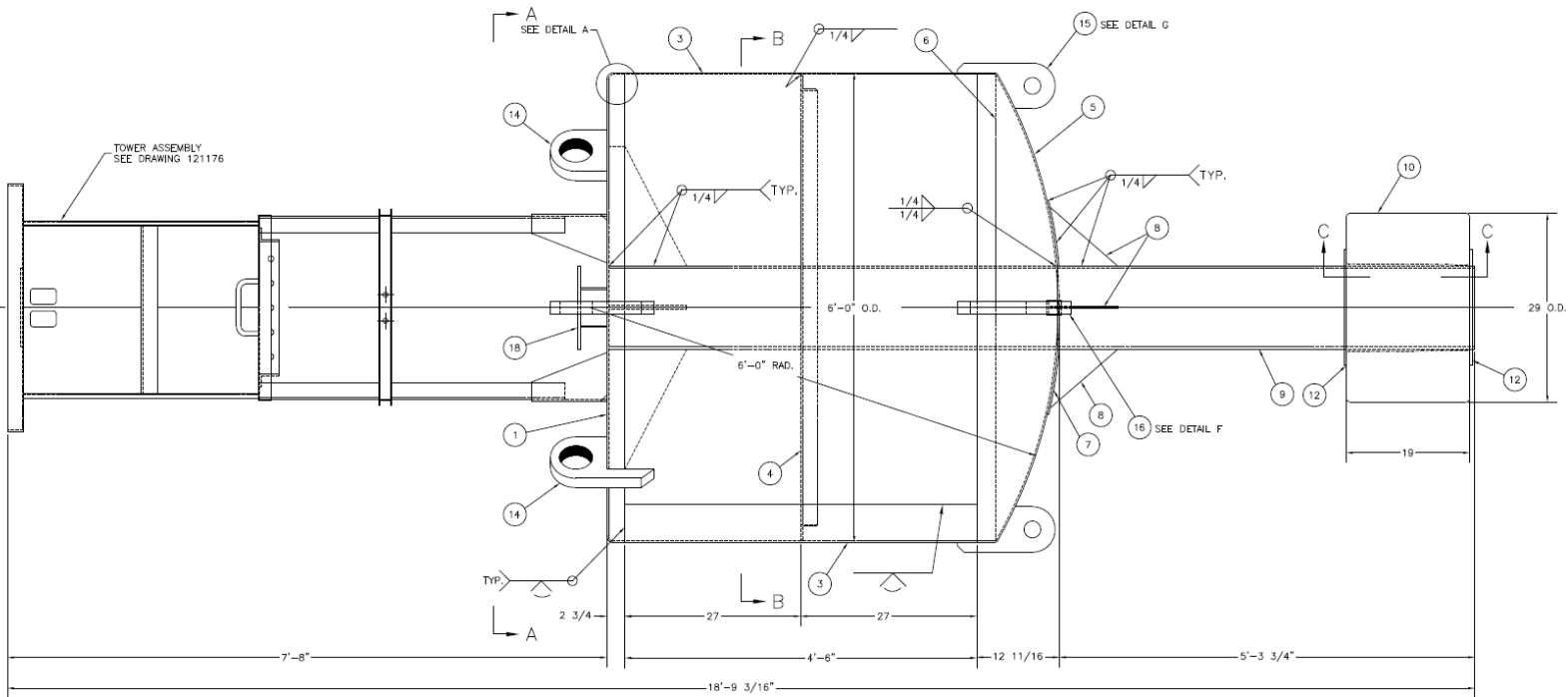
### Operational Characteristics (Nominal)

<b>Daymark Visual Range:</b>	2.3NM
<b>Passive Radar Reflector Range:</b>	2.7NM
<b>Racon Radar Range:</b>	6.0NM
<b>Mooring Depth (Min.):</b>	6m (19' 7")
<b>Mooring Depth (Max. w/ Chain):</b>	40m (131' 0")

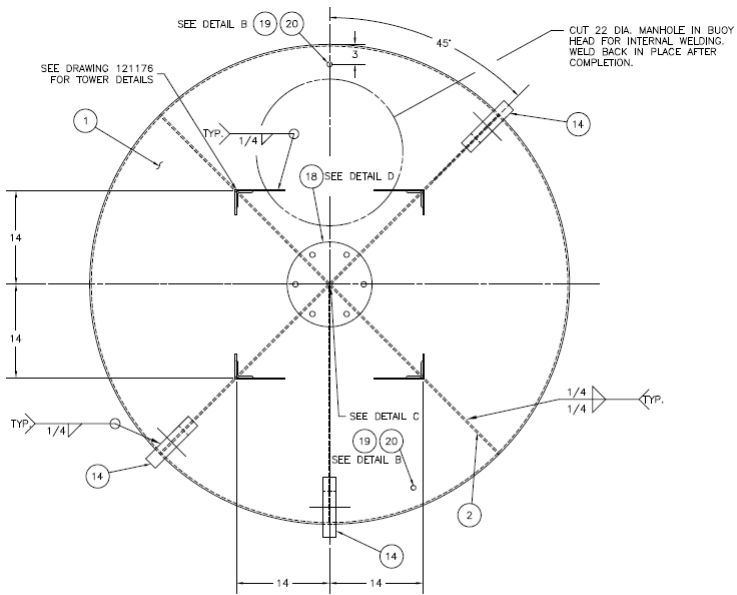
\*Specifications subject to change without notice.



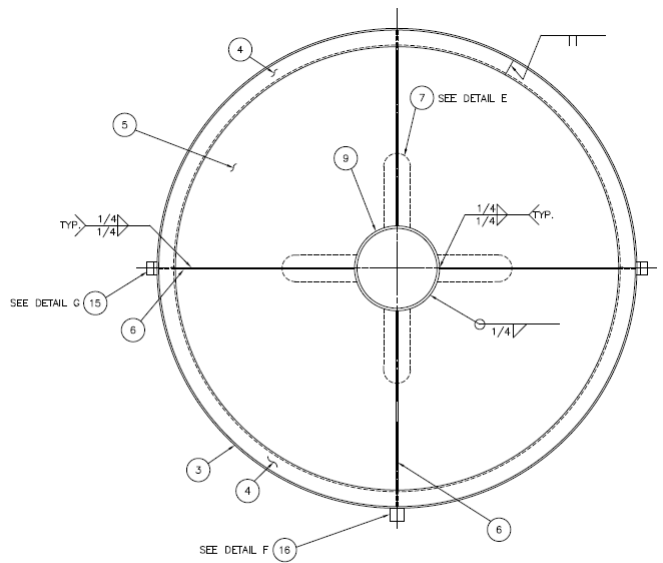
# SPECIFICATIONS



**6x20LR BUOY ASSEMBLY**  
SCALE: 1 1/2"=1'-0"



**SECTION A-A**  
SCALE: 1-1/2"=1'-0"



**SECTION B-B**  
SCALE: 1-1/2"=1'-0"