



MOLDED FIBERGLASS BUOYS

The PMAPI molded fiberglass buoys incorporate superior design and construction characteristics which provide stable, long-life marking of channels, bays, rivers, and lakes. Offshore versions are also available.

Features

- Smooth outside 8 mil Gel-Coat red, white, green or yellow film prevents fiberglass from weathering to the surface and insures resistance to color fading; it also provides good adhesive surfaces for retroreflective markings
- Polyurethane closed-cellular foam completely fills the buoy
- Counterweight is made of cast iron and has a flat bottom to provide a stand for the buoy during storage - the finned design proves stability in wind and current; angle of heel is less than 10° in a 20 mph wind
- Counterweight assembly is rigidly attached to a 3/16" steel plate which is bolted to the molded bottom of the buoy; this spreads normal stress throughout the hull which virtually eliminates the possibility of the counterweight breaking off the buoy body
- Both lighted and unlighted buoys are available
- Colors and markings suitable for all systems of buoyage can be supplied.



Optional Features

- Light with batteries
- Internal or external radar reflector
- Through rod and lifting eye
- Offshore modifications
- Colors and markings

SPECIFICATIONS

**CORPORATE HEADQUARTERS
& MANUFACTURING
OPERATIONS**
Houston, TX
Phone: +1-713-228-5208
Fax: +1-713-228-3717
sales@automaticpower.com

U.S. LOCATIONS

PMAPI GULF OF MEXICO
Gray, LA
Rene "Boogie" LeBlanc
Phone: +1-985-223-8700
Fax: +1-985-223-8710
rleblanc@automaticpower.com

PMAPI WEST COAST
Novato, CA
Pete Dolan
Phone: +1-415-382-6296
Fax: +1-415-382-6299
pdolan@automaticpower.com

INTERNATIONAL LOCATIONS

AB PHAROS MARINE PTE LTD
Singapore
Phone: +65-6747-9325
Fax: +65-6746-0478
sales@pharos-api.com

**PHAROS MARINE LTD
MANUFACTURING OPERATIONS**
London, UK
Phone: +44-20-8538 1100
Fax: +44-20-8577 4170
sales@pharosmarine.com

**SIMS SYSTEMS LTD
MANUFACTURING OPERATIONS**
Great Yarmouth, UK
Phone: +44-1493 659271
Fax: +44-1493 601882
info@sims-systems.com

www.automaticpower.com

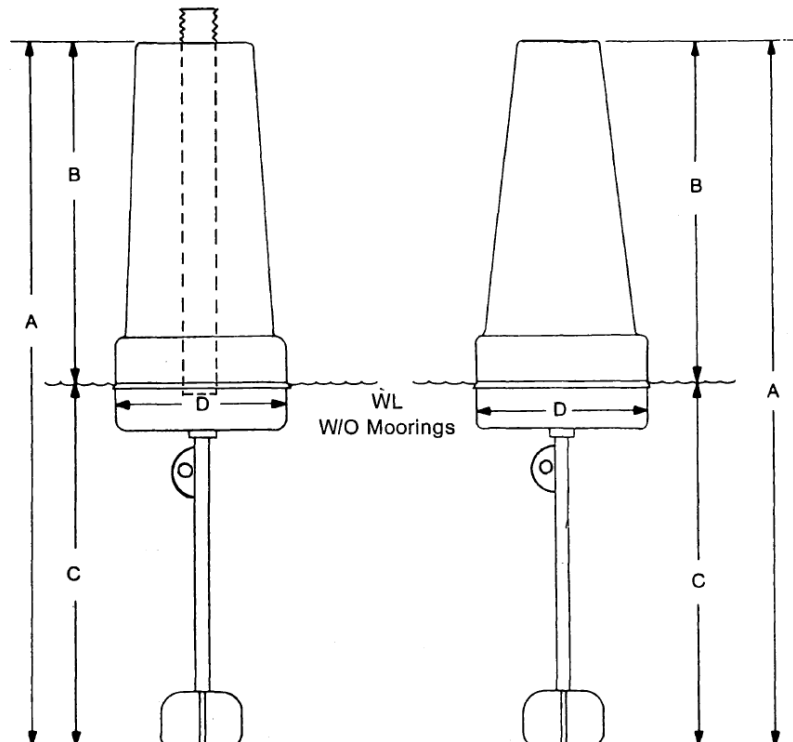
NUN BUOY SPECIFICATIONS

	BA-323N	BA-17N	BA-28N
Dimensions			
A	66"	86 1/2"	92"
B	36"	44 1/2"	48"
C	30"	42"	44"
D	20"	20"	28"
Daymark (Projected Area)	400 sq. in.	655 sq. in.	830 sq. in.
Weight	73 lbs.	84 lbs.	141 lbs.
Submergence	11.3 lbs/in.	11.3 lbs/in.	22.2 lbs/in.
Maximum Mooring Weight	40 lbs.	45 lbs.	112 lbs.

CAN BUOY SPECIFICATIONS

	BA-323C	BA-17C	BA-28C
Dimensions			
A	66"	80 1/2"	88"
B	36"	38 1/4"	44"
C	30"	42 1/4"	44"
D	20"	20"	28"
Daymark (Projected Area)	470 sq. in.	655 sq. in.	800 sq. in.
Weight	73 lbs.	86 lbs.	142 lbs.
Submergence	11.3 lbs/in.	11.3 lbs/in.	22.2 lbs/in.
Maximum Mooring Weight	40 lbs.	45 lbs.	112 lbs.

*Specifications subject to change without notice.



CAN BUOY (Shown Lighted)

NUN BUOY (Shown Unlighted)

