



FA-165HA CLASS 1 DIV 2 HELIDECK PERIMETER LIGHT

The FA-165HA is a LED based Low Intensity Helideck Perimeter Light designed for extreme environments such as high UV, corrosive gasses and marine conditions encountered on offshore oil and gas production facilities, drilling rigs, support vessels and refineries.

Designed to be placed in remote locations, the lantern incorporates very long lived LEDs to minimize scheduled maintenance. The FA-165HA LEDs are mounted on metal core PCBs with patented integrated heat pipes to cool the LED array without a cooling fan. This highly efficient, passive, cooling system gives the LED array the highest design life in the marketplace (greater than 60,000 hours).



Variations of Lantern

FA-165HA: 6.5 DC Watts; 8.0 AC Watts, **Green** LED Perimeter light conforming to CAP 437.

FA-165HA: 7.0 DC Watts; 8.5 AC Watts, 30 candela **Yellow** LED Perimeter light.

FA-165HA: 9.0 DC Watts; 11.0 AC Watts, 15 candela **Blue** LED Perimeter light.

FA-165HA: Tricolor Perimeter Light. (Power requirements change depending on color. See above for details.) The **Green/Yellow/Blue** LED array is a selectable color Perimeter Light allowing drilling rigs, service vessels, etc. to display a CAP 437 Green perimeter light or 30/15 Candela Yellow/Blue perimeter lights from the same fixture.

Features

- Two options for electronic controllers:
 - 100-240 ± 10% VAC 50-60 Hz internal controller
 - 10-30 VDC internal controller
- Integrated heat pipe eliminates need for cooling fan
- No moving parts
- Cover is tempered toughed glass, able to withstand high temperature and impact
- Base is impregnated, anodized and painted cast marine grade aluminum
- Stainless steel hardware
- Four 7mm diameter mounting holes. 229 mm (9") x 191 mm (7 17/32")



**CORPORATE HEADQUARTERS
& MANUFACTURING
OPERATIONS**
Houston, TX
Phone: +1-713-228-5208
Fax: +1-713-228-3717
sales@automaticpower.com

U.S. LOCATIONS

PMAPI GULF OF MEXICO
Gray, LA
Rene "Boogie" LeBlanc
Phone: +1-985-223-8700
Fax: +1-985-223-8710
rleblanc@automaticpower.com

PMAPI WEST COAST
Novato, CA
Pete Dolan
Phone: +1-415-382-6296
Fax: +1-415-382-6299
pdolan@automaticpower.com

INTERNATIONAL LOCATIONS

AB PHAROS MARINE PTE LTD
Singapore
Phone: +65-6747-9325
Fax: +65-6746-0478
sales@pharos-api.com

**PHAROS MARINE LTD
MANUFACTURING OPERATIONS**
London, UK
Phone: +44-20-8538 1100
Fax: +44-20-8577 4170
sales@pharosmarine.com

**SIMS SYSTEMS LTD
MANUFACTURING OPERATIONS**
Great Yarmouth, UK
Phone: +44-1493 659271
Fax: +44-1493 601882
info@sims-systems.com

www.automaticpower.com

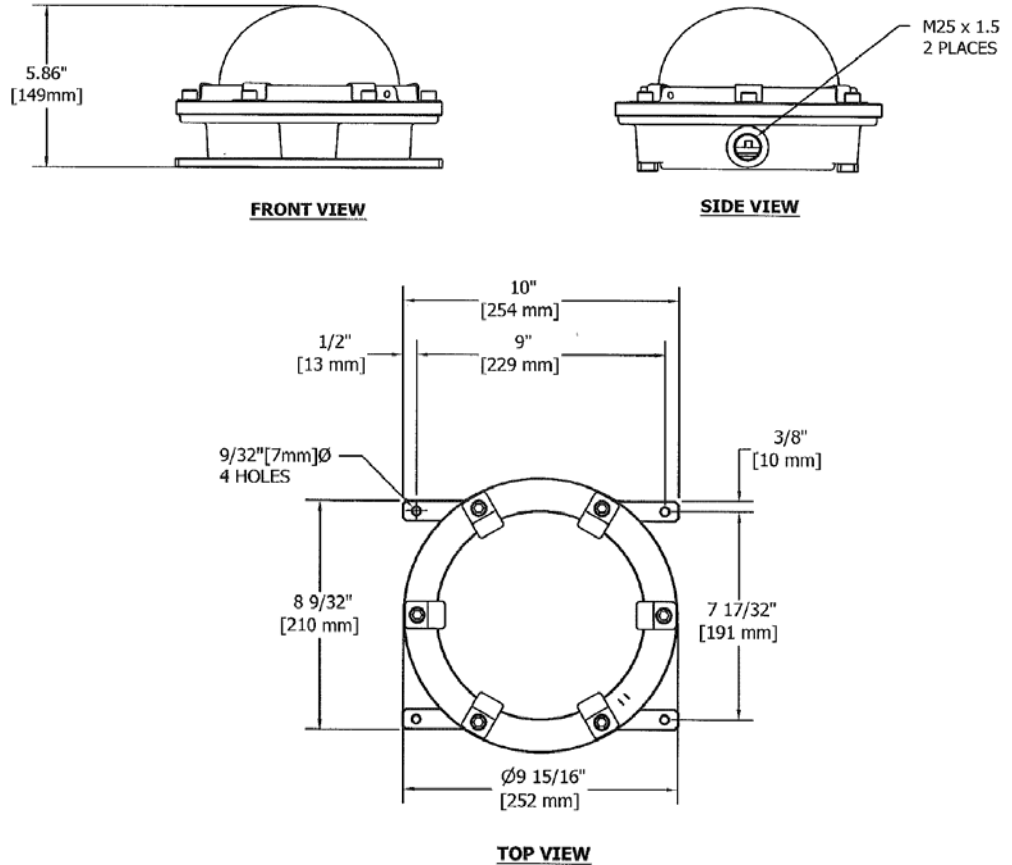


SPECIFICATIONS

Height:	150 mm (5.86")
Weight:	5 kg (12 lbs.)
Input Voltage:	12, 24 VDC or 100-240 VAC
Power Consumption:	Varies by LED Color
Available Colors:	Green, Yellow, Blue, Tri-Color
Quiescent Current:	Varies by Components
Lens Type:	Tempered Glass
Visibility:	CAP 437 Green or 30/15 Candela Yellow/Blue
Vertical Divergence:	Per CAP 437
Monitor and Control:	Varies by Components
Lantern Housing:	Epoxy Coated Cast Marine Grade Aluminum Base
Operating Temperature:	Varies by Components
Ingress Rating:	IP-66
Certificates:	FM Approved Class 1, Div. 2, Groups A, B, C, D -20°C ≤ Ta 54°C T5, Ta 74°C T4A

CAP 437 Photometric and Chromaticity Test Certificate
Intertek Report No.: 100224354 CRT-002

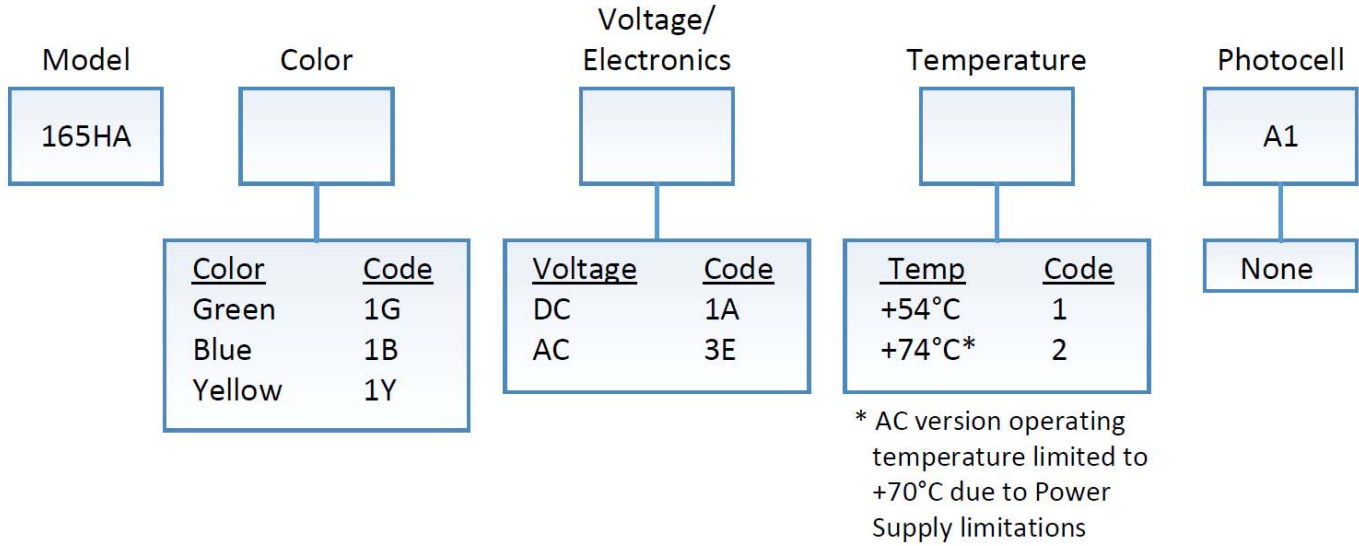
*Specifications subject to change without notice.



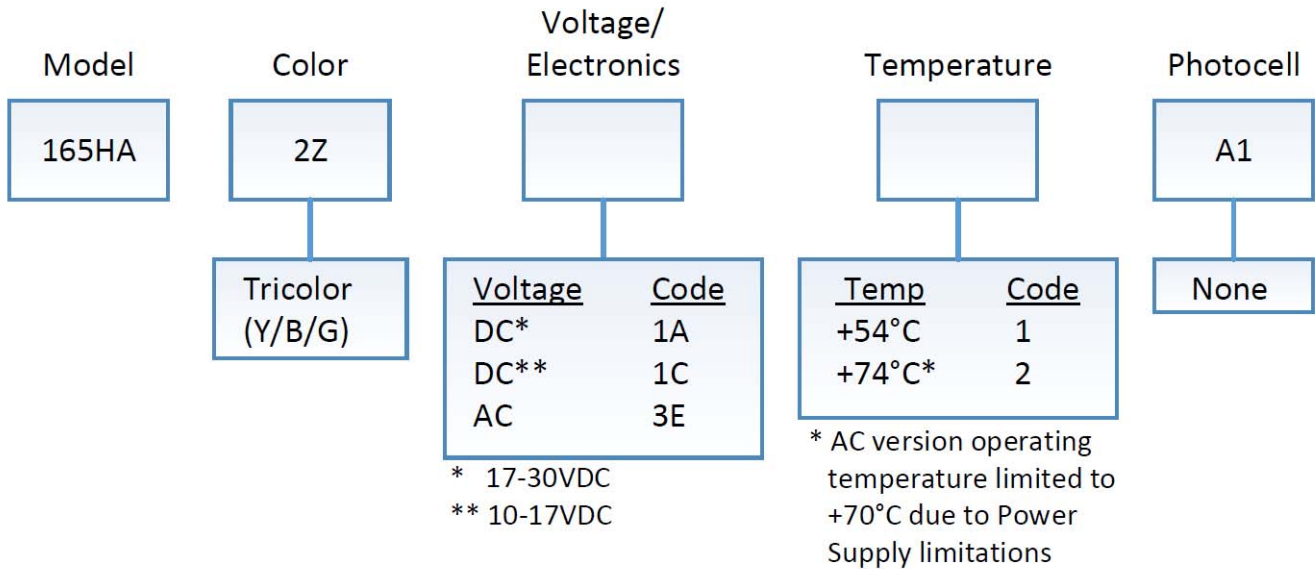
ORDERING REQUIREMENTS

The following ordering matrix is designed to assist you in the selection of the correct unit for your application. Build up the reference number by inserting the code for each component into the appropriate box.

FA-165HA Perimeter Light:



FA-165HA Perimeter Tri-Color Light:



Contact PMAPI Sales office for unique requirements.