

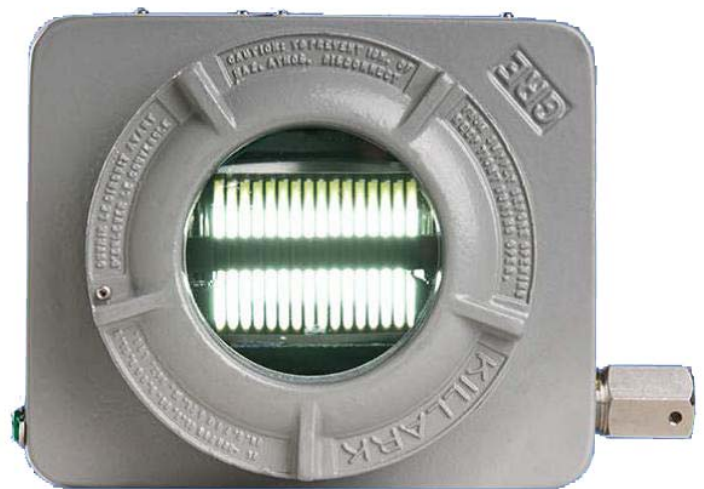


FA-166EX 149mm HAZARDOUS AREA SPOT/FLOOD LED LIGHTING FIXTURE

The FA-166EX Hazardous Area Fixture is engineered to perform multiple lighting functions on offshore production platforms and drilling rigs. Its rugged, heavy-duty construction provides superior performance to plastic products in high temperature and high UV marine environments.

Features

- On approximately 22.5m x 22.35m helideck, the average illumination values are 18.8 lux for the “H” and 20.6 lux for the helideck.
- Features high flux LED arrays mounted on a stainless steel, parabolic reflector; highly efficient reflector uses a state of the art dichroic hybrid spectral metal coating
- LEDs are mounted on metal core PCBs with patented integrated heat pipes to cool the LED arrays without a cooling fan
- LED array has the highest design life in the marketplace (greater than 60,000 hour)
- Higher output with lower power consumption
- Meets **CAP437** and **ICAO** signaling requirements
- 3° vertical by 35° horizontal illumination for helidecks and other area illumination
- Once installed, no maintenance required
- Electronic controller is housed in a separate housing that can be located as much as 500 meters away from the light
- Controller provides current limiting to the LED array



**CORPORATE HEADQUARTERS
& MANUFACTURING
OPERATIONS**
Houston, TX
Phone: +1-713-228-5208
Fax: +1-713-228-3717
sales@automaticpower.com

U.S. LOCATIONS

PMAPI GULF OF MEXICO
Gray, LA
Rene "Boogie" LeBlanc
Phone: +1-985-223-8700
Fax: +1-985-223-8710
rleblanc@automaticpower.com

PMAPI WEST COAST
Novato, CA
Pete Dolan
Phone: +1-415-382-6296
Fax: +1-415-382-6299
pdolan@automaticpower.com

INTERNATIONAL LOCATIONS

AB PHAROS MARINE PTE LTD
Singapore
Phone: +65-6747-9325
Fax: +65-6746-0478
sales@pharos-api.com

**PHAROS MARINE LTD
MANUFACTURING OPERATIONS**
London, UK
Phone: +44-20-8538 1100
Fax: +44-20-8577 4170
sales@pharosmarine.com

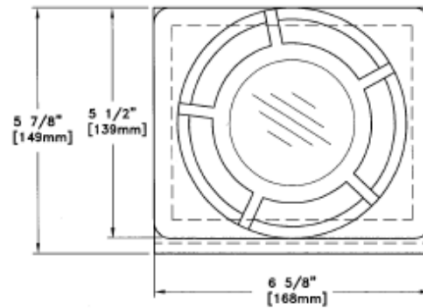
**SIMS SYSTEMS LTD
MANUFACTURING OPERATIONS**
Great Yarmouth, UK
Phone: +44-1493 659271
Fax: +44-1493 601882
info@simssystems.com

www.automaticpower.com

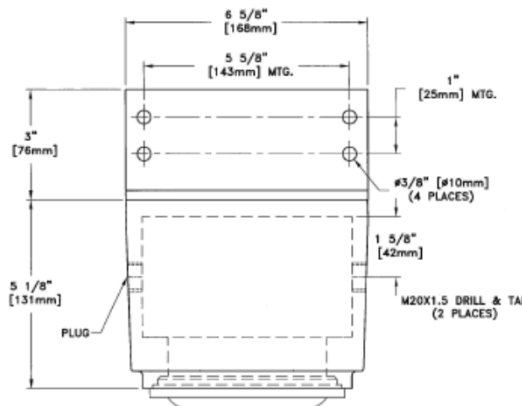
SPECIFICATIONS

Height:	221 mm (8 3/4")
Width:	168 mm (6 5/8")
Weight:	8.4 kg (18 1/2 lbs.)
Input Voltage:	24VDC; 110V/220V 50-60Hz Available
Power Consumption:	< 20 W
Available Colors:	White
Monitor and Control:	External Control Required
Lantern Housing:	Cast Marine-Grade Aluminum w/ Tempered Glass Window
Operating Temperature:	-20C to ++40C
Ingress Rating:	IP-66
Corrosion Protection:	NEMA 4X
Certificates:	Class 1, Div. 1, Groups B, C, D Class 1, Zones 1, Groups IIB+H2, IIA Ta -20°C to +40°C CENELEC/ATEX/IEC Ex EExd IIC T6 or T5 T80°C or T90°C Ex d IIC T6 or T5

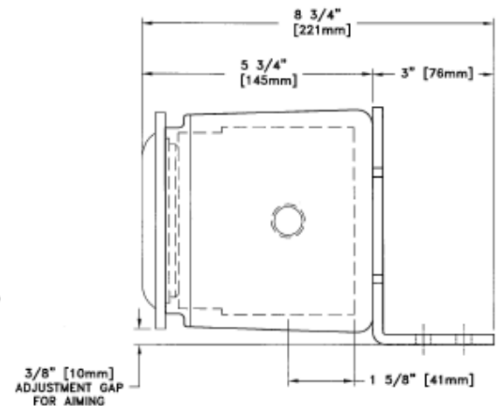
*Specifications subject to change without notice.



FRONT VIEW



TOP VIEW



LEFT SIDE VIEW



ADDITIONAL INFORMATION

Comparison Between FA-166EX LED and Xenon Helideck Illumination Light

Comparison	API FA-166EX	Xenon Spotlight
Number of Lights Required	4	4
Illumination Source	LED	Xenon Lamp
Light Source Life	Greater than 50,000 hours	1,000 hours
Power Consumption	20 W (80W total)	50 W (200W total)
Total Lumens	8000 Lumens	4000 Lumens
Photometrics	3° V, 35° H	3° V, 5° H
Illumination (Average)	20.6 Lux on Helideck 18.8 Lux on "H"	13 Lux on Helideck 4.4 Lux on "H"
Cost	Approx. 1/2 the Cost Per Light	Approx. Twice the Total Cost
Size	149 x 229 x 221mm	185 x 420 mm
Protection	IP-66, NEMA- 4X/7	IP 66/67
Temperature	-20°C to + 40°C	-20°C to +40°C
Ease of use	Once installed, no maintenance required.	Need to remove light to work shop to change lamp; disassembly of light required. Requires special tools and EX-certified personnel.

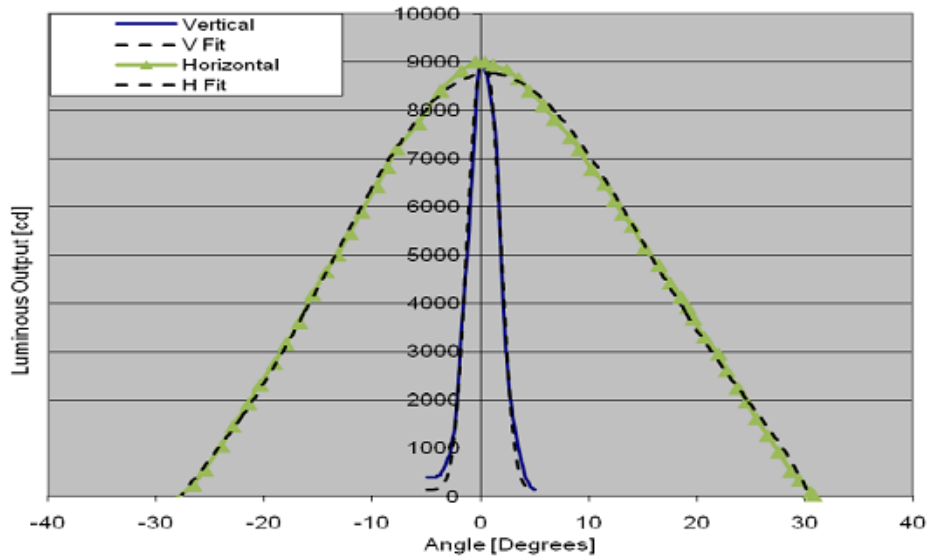


Figure 1 - FA-166 EX Spotlight max candela. The dark line in the graph is data for the vertical axis of the flood lamp.