




FA-249 LED MARINE LANTERN

The FA-249 Marine Lantern is a rugged, compact and lightweight signal lantern particularly suited for buoys, fixed platforms, bridges, barges, low-powered warning lights and others.

Adapted from the original FA-249 marine lantern due to its widespread use and excellent reputation as a buoy lantern, this state of the art LED system is constructed to withstand the mechanical stresses of service on buoys and includes a number of features designed to endure harsh marine elements while maintaining structural integrity and reducing the need for maintenance.

Features

- A Qualified Product to U. S. Coast Guard Specification 205
 - Extremely high flux LEDs mounted on a STABRITE LED array system, driven by specially designed electronics
 - LED array available in 1X6, 1X4, 1x8, 3X4 configurations
 - Proven lantern design with the flexibility to use the same housing and lens system for both LED and lampchanger systems, and ability to retrofit LED's into existing installations
 - A 3-piece lens mounting system of molded Lexan with stainless steel thumb screws that fully compresses the lens gasket and provides strong positive closure of the lantern
 - Ability to accommodate an external photocell, solar array cable and battery cable
 - Factory-preset flash characteristics to customer specifications
 - 15+1 special programmable position (AM-8 LED Flasher/Controller Unit)
 - 255+1 special programmable position (AM-6 LED Flasher/Controller Unit)
- 
- High-efficiency TracSwitcher current controls; 82% of the battery current reaches the LED array on flash; 2 mA idle current between flashes
 - Software programmable: Photocell, low voltage disconnect, special flash rhythm, specialized current settings and solar charge control voltage setting
 - Optional 365 day timer (AM-6)
 - Optional Uniflash®-series GPS synchronizing system, terminal strips, etc
 - Optional remote monitoring

SPECIFICATIONS

**CORPORATE HEADQUARTERS
& MANUFACTURING
OPERATIONS**
Houston, TX
Phone: +1-713-228-5208
Fax: +1-713-228-3717
sales@automaticpower.com

U.S. LOCATIONS

PMAPI GULF OF MEXICO
Gray, LA
Rene "Boogie" LeBlanc
Phone: +1-985-223-8700
Fax: +1-985-223-8710
rleblanc@automaticpower.com

INTERNATIONAL LOCATIONS

AB PHAROS MARINE PTE LTD
Singapore
Phone: +65-6747-9325
Fax: +65-6746-0478
sales@pharos-api.com

**PHAROS MARINE LTD
MANUFACTURING OPERATIONS**
London, UK
Phone: +44-20-8538 1100
Fax: +44-20-8577 4170
sales@pharosmarine.com

**SIMS SYSTEMS LTD
MANUFACTURING OPERATIONS**
Great Yarmouth, UK
Phone: +44-1493 659271
Fax: +44-1493 601882
info@sims-systems.com

www.automaticpower.com

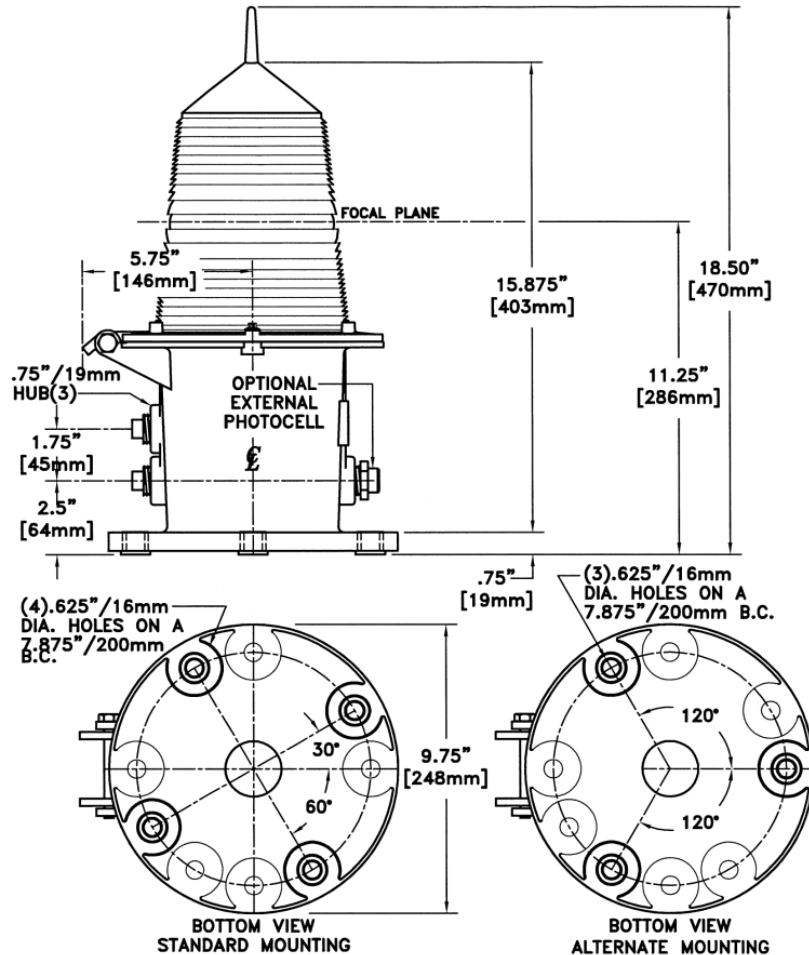
Height:	470mm (18.5")
Weight:	2.22 kg (4.9 lbs.)
Input Voltage:	Available in 6, 12, 24 VDC or 120, 230 VAC
Power Consumption:	Maximum Average Power of 5.5W
Available Colors:	Clear, Red, Green, Yellow
Lens Type:	155 mm 360° Visibility Acrylic Fresnel Lens
Visibility:	Varies by configuration
Vertical Divergence:	Varies by configuration
Monitor and Control:	Optional
Synchronization:	Uniflash®-Series GPS Synchronizing (Optional)
Lantern Housing:	Molded Lexan® Lens Ring and Base
Mounting:	(4) 16 mm (5/8") Holes on a 200 mm (7 7/8") Bolt Circle 3-Hole Mounting Pattern Also Available
Operating Temperature:	-20°C to + 55°C
Ingress Rating:	IP-56 (FM); IP-66 (Zone 2)
Certificates:	FM Approved

NI/I/2/ABCD/T6 Ta = +54°C; T5 Ta = +65°C; T4A Ta = +85°C
NI/I/2/IIC/T6 Ta = +54°C; T5 Ta = +65°C

Zone 2

Coding: II 3 G T3; Ta -20°C to +40°C

*Specifications subject to change without notice.



TYPICAL PERFORMANCE

3X4 LED Array

Candela @ Battery Power

Red	Green	White	Yellow
48Cd @ 3W	84Cd @ 4.1W	116Cd @ 4.1W	52Cd @ 4.5W
144Cd @ 7.5W	191Cd @ 9.6W	298Cd @ 9.5W	149Cd @ 10.8W
214Cd @ 12.6W	291Cd @ 17.7W	477Cd @ 17.2W	218Cd @ 17.9W
273Cd @ 18.5W	343Cd @ 24.4W	617Cd @ 24.2W	257Cd @ 26W

Vertical Divergence: 16° @ 50%; 22° @ 10%

Maximum average power 6.4W; optional 12W and 23W heat sink available

1X8 LED Array

Candela @ Battery Power

Red	Green	White	Yellow
224Cd @ 3.1W	312Cd @ 4.8W	338Cd @ 3W	335Cd @ 4W
421Cd @ 5.8W	518Cd @ 9.4W	1013Cd @ 9.8W	684Cd @ 9.6W
595Cd @ 9.8W	710Cd @ 16.1W	1572Cd @ 16.6W	928Cd @ 16.9W
793Cd @ 14.2W	852Cd @ 23.5W	2330Cd @ 35W	1055Cd @ 18.7W

Vertical Divergence: 7° @ 50%; 15 @ 10%

Maximum average power 6.4W; optional 12W and 23W heat sink available

1X6 LED Array

Candela @ Battery Power

Red	Green	White	Yellow
114Cd @ 2.3W	158Cd @ 2.9W	243Cd @ 3W	175Cd @ 3.4W
222Cd @ 4.6W	285Cd @ 6.8W	522Cd @ 7.1W	338Cd @ 7.4W
354Cd @ 7.9W	386Cd @ 12.2W	812Cd @ 12.7W	474Cd @ 14.2W
420Cd @ 10.7W	442Cd @ 18.5W	1055Cd @ 18.8W	511Cd @ 17.8W

Vertical Divergence: 6° @ 50%; 12° @ 10%

Maximum average power 6.4W' optional 12W heat sink available

1X4 LED Array

Candela @ Battery Power

Red	Green	White	Yellow
65Cd @ 1.6W	95Cd @ 1.9W	120Cd @ 2W	85Cd @ 2.2W
140Cd @ 3.6W	176Cd @ 4.7W	268Cd @ 4.8W	138Cd @ 4.3W
212Cd @ 6.4W	234Cd @ 8.3W	400Cd @ 8.5W	173Cd @ 6.6W
276Cd @ 9.5W	276Cd @ 11.4W	517Cd @ 12.5W	195Cd @ 8.9W

Vertical Divergence: 7° @ 50%; 15° @ 10%

Maximum average power 6.4W; optional 12W heat sink available