



FA-250 LED LR SERIES LONG RANGE (+18 NM) MARINE LANTERN

The FA-250HA LED Long Range Marine Lantern offers the AtoN authority an LED lantern with the highest Lumen Maintenance value available in the market today. The light is a unique combination of high intensity and optical efficiency giving the possibility of a nominal range in excess of 18 nautical miles (T=0.74) and 28 nautical miles (T=0.85), depending on color and flashing character.

Features

- LEDs mounted on specially designed patented heat sinks to keep the temperature of the LED below 50°C to assure the design life of 60,000 hours
- 15+1 selectable power level settings (one selectable)
- 255 + 1 Selectable flash rhythms (one selectable)
- Terminals for UNIFLASH® III wireless synchronization system or hardwired sync circuit (Optional)
- ATONIS ready for AIS Msg 21 and Msg 6 monitoring
- 3 tier units and all AC units require external controller



The FA-250 LED LR is available in 12 models based on different configurations. For more information on the model numbers, see page 3.

SPECIFICATIONS

**CORPORATE HEADQUARTERS
& MANUFACTURING
OPERATIONS**
Houston, TX
Phone: +1-713-228-5208
Fax: +1-713-228-3717
sales@automaticpower.com

U.S. LOCATIONS

PMAPI GULF OF MEXICO
Gray, LA
Rene "Boogie" LeBlanc
Phone: +1-985-223-8700
Fax: +1-985-223-8710
rleblanc@automaticpower.com

PMAPI WEST COAST
Novato, CA
Pete Dolan
Phone: +1-415-382-6296
Fax: +1-415-382-6299
pdolan@automaticpower.com

INTERNATIONAL LOCATIONS

AB PHAROS MARINE PTE LTD
Singapore
Phone: +65-6747-9325
Fax: +65-6746-0478
sales@pharos-api.com

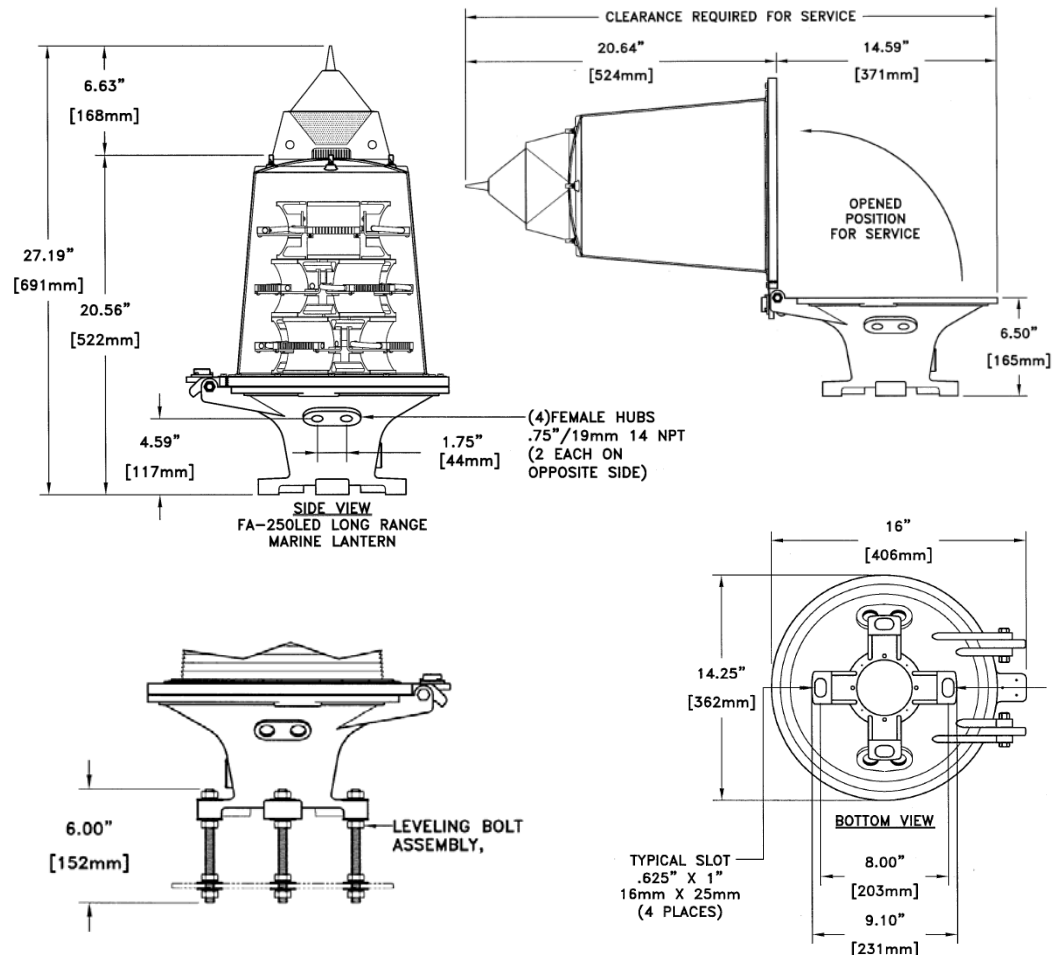
**PHAROS MARINE LTD
MANUFACTURING OPERATIONS**
London, UK
Phone: +44-20-8538 1100
Fax: +44-20-8577 4170
sales@pharosmarine.com

**SIMS SYSTEMS LTD
MANUFACTURING OPERATIONS**
Great Yarmouth, UK
Phone: +44-1493 659271
Fax: +44-1493 601882
info@sims-systems.com

www.automaticpower.com

Height:	691 mm (27 3/16")
Weight:	20 kg (44 lbs.)
Input Voltage:	20-35 VDC; Reverse polarity protected 120/240 VAC 50-60 Hz (External Controller Only)
Power Consumption:	See Table on Page 3 for Maximum Power
Available Colors:	White, Red, Green, Amber
Quiescent Current:	≤ 1.0 Watt
Lens Type:	250mm Precision-Molded, Clear, Acrylic Cover
Lantern Housing:	Cast Aluminum Base and Frame, Stainless Steel Fittings
Visibility:	360° Omnidirectional
Range:	Up to 18 NM, Depending on Color & Flash Rate
Vertical Divergence:	
 White:	4.5° to 50%; 11° to 10%
 All Other Colors:	3.2° to 50%; 8° to 10%
Monitor and Control:	Optional
Synchronization:	UNIFLASH® Wireless Sync or Hardwired (Optional)
Mounting:	Four 3/4" (20mm) holes on 200 mm bolt circle
Operating Temperature:	-40°C to +55°C
Ingress Rating:	IP-56

*Specifications subject to change without notice.



LED PHOTOMETRIC DATA (CANDELA)

Photometric Data Conforms to IALA Chromaticity and 90th Percentile Intensity Standards

*Average power must not exceed 100W for FA-250 housing.

INPUT POWER, W	RED	GREEN	YELLOW
3-Tier (1X16X12) LED PHOTOMETRICS (CD-Fixed)			
690		30 450	18 850
540		23 790	14 730
360	12 458	15 855	9 820
192	6 237	7 950	4 915
90	3 120	3 975	2 460
2-Tier (1X16X8) LED PHOTOMETRICS (CD-Fixed)			
460		20 300	12 570
360		15 860	9 820
240	8 305	10 570	6 545
128	4 153	5 285	3 270
60	2 080	2 650	1 640
1-Tier (1X16X4) LED PHOTOMETRICS (CD-Fixed)			
120	4 568	5 815	3 600
60	2 284	2 907	1 800
30	1 144	1 458	900

INPUT POWER, W	WHITE
3-Tier (1X16X12) LED PHOTOMETRICS (CD-Fixed)	
690	51 900
540	45 700
360	34 000
192	20 900
90	10 000
2-Tier (1X16X8) LED PHOTOMETRICS (CD-Fixed)	
460	34 600
360	30 466
240	22 733
128	13 933
60	6 900
1-Tier (1X16X4) LED PHOTOMETRICS (CD-Fixed)	
120	11 366
60	6 966
30	3 400

FA-250 LED LR Models

LR12-BX	LR120-BX	LR12-AI
LR12-CX	LR120-CX	LR24-AI
LR24-BI or BX	LR240-BX	LR120-AX
LR24-CX	LR240-CX	LR240-AX

LR = Long Range

12 = 12V nominal (10.5 -30VDC input)

On 1 Tier only

24 = 24V nominal (20-30VDC input)

Recommended on all tiers when DC required

120 = 120VAC 50/60 Hz input

240 = 240VAC 50/60 Hz input

A = 1 Tier (4 Procyon Light Modules)

B = 2 Tier (8 Procyon Light Modules)

C = 3 Tier (12 Procyon Light Modules)

X = Electronic controller mounted in external

NEMA 4x enclosure

I = Electronic controller located in lantern base

Contact PMAPI Sales office for unique requirements.