



## FA-250 LED MARINE LANTERN

The only modern acrylic lantern with an internal lens protected by a smooth outer cover, the FA-250 LED Marine Lantern is engineered to give the optimum mix of high horizontal candlepower, vertical divergence, reliable output under varying environmental conditions, and adaptability to different signaling requirements, simple logistics, and long service life with reduced spare parts requirements.

### Features

- Extremely high flux, compact LEDs mounted on a heavy duty heat sink and encapsulated inside a sealed housing; the heat sink maximizes the life of the LED array by keeping the maximum temperature of the array to less than 50°C
- Heavy duty STABRITE® system designed to maximize the life of the LED array by providing a secondary environmental enclosure independent of the lantern housing, ensuring moisture does not reduce the life of the LED
- LED array/diffuser system that approximates a marine signal lamp located at the focal point of the lens to maximize the output of the lantern in the horizontal plane with horizontal uniformity of the beam
- Precision-molded acrylic Fresnel lens that has better optical characteristics and higher transmission than glass, and longer-term dimensional stability than cut acrylic; light weight and its color filter transmission is, typically, 25% higher than glass
- Smooth, protective acrylic lens cover eliminates the buildup of droplets of moisture, dust, salt spray, raindrops and other contaminants on the internal Fresnel lens prisms
- Can be simply and inexpensively converted to a different color or to color sectors
- Complies with the recommended IALA minimum vertical divergence of 2.5° and the FAA minimum vertical divergence of 3.0°



### Optional Features

- Bird spike
- Uniflash® III wireless synchronization system

## SPECIFICATIONS

**CORPORATE HEADQUARTERS  
& MANUFACTURING  
OPERATIONS**  
Houston, TX  
Phone: +1-713-228-5208  
Fax: +1-713-228-3717  
sales@automaticpower.com

### U.S. LOCATIONS

**PMAPI GULF OF MEXICO**  
Gray, LA  
Rene "Boogie" LeBlanc  
Phone: +1-985-223-8700  
Fax: +1-985-223-8710  
rleblanc@automaticpower.com

**PMAPI WEST COAST**  
Novato, CA  
Pete Dolan  
Phone: +1-415-382-6296  
Fax: +1-415-382-6299  
pdolan@automaticpower.com

### INTERNATIONAL LOCATIONS

**AB PHAROS MARINE PTE LTD**  
Singapore  
Phone: +65-6747-9325  
Fax: +65-6746-0478  
sales@pharos-api.com

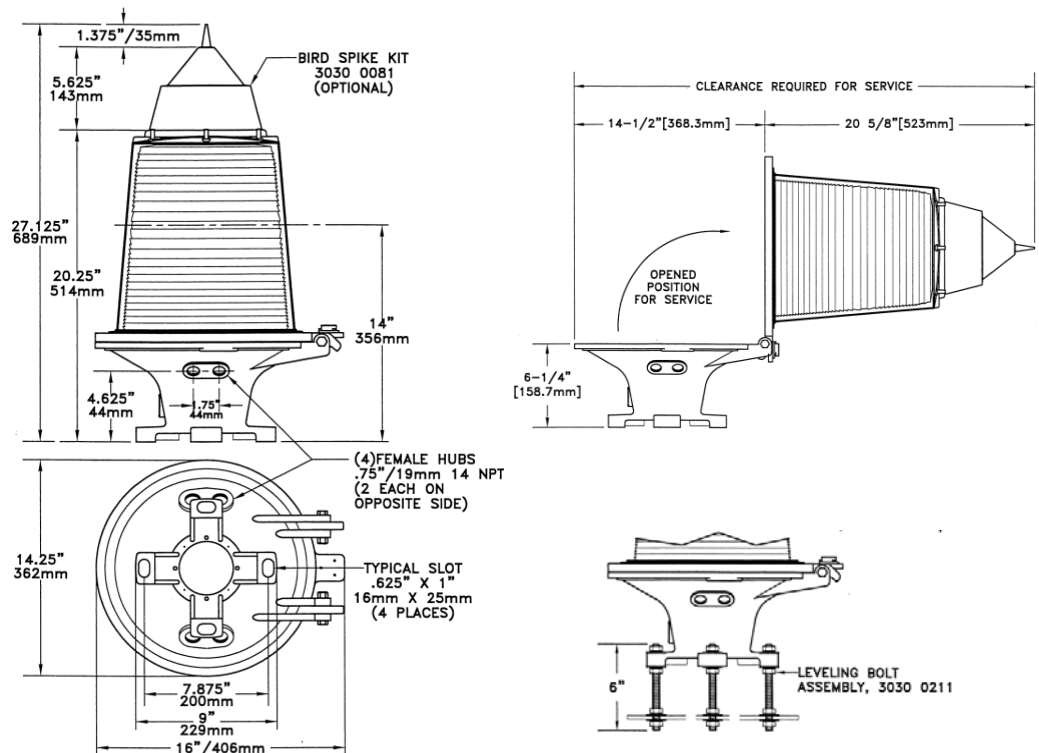
**PHAROS MARINE LTD  
MANUFACTURING OPERATIONS**  
London, UK  
Phone: +44-20-8538 1100  
Fax: +44-20-8577 4170  
sales@pharosmarine.com

**SIMS SYSTEMS LTD  
MANUFACTURING OPERATIONS**  
Great Yarmouth, UK  
Phone: +44-1493 659271  
Fax: +44-1493 601882  
info@sims-systems.com

[www.automaticpower.com](http://www.automaticpower.com)

<b>Dimensions:</b>	406 mm x 362 mm x 689 mm (16" x 14 1/4" x 27 1/8")
<b>Weight:</b>	9 kg (19.5 lbs.)
<b>Shipping Dimensions:</b>	457mm x 508mm x 762mm (18" x 20" x 30")
<b>Shipping Weight:</b>	16 kg (35 lbs.)
<b>Input Voltage:</b>	Available in 6, 12, 24 VDC or 120, 230 VAC
<b>Power Consumption:</b>	6 Watts Average Optional 12W or 23 W Heatsink
<b>Lens Type:</b>	250 mm 360° Visibility Acrylic Fresnel Lens; Smooth Lens Cover
<b>Available Colors:</b>	Clear, Red, Green, Yellow, Blue
<b>Light Source:</b>	Extremely High Flux LED Arrays
<b>Visibility:</b>	360° Omnidirectional; Directional or Bi-Directional (Optional)
<b>Vertical Divergence:</b>	4° to 50%; 9° to 10%
<b>Monitor and Control:</b>	Optional
<b>Synchronization:</b>	Uniflash® III Wireless Synchronization; Hard Wire (Optional)
<b>Lantern Housing:</b>	Copper-Free Cast Aluminum Base, Stainless Steel Fittings
<b>Mounting:</b>	(4) 3/8" by 1" Slots on a 7 7/8" Bolt Circle - 90° Apart
<b>Operating Temperature:</b>	-20°C to + 55°C
<b>Ingress Rating:</b>	IP-56
<b>Certificates:</b>	<b>FM Approved</b> NI/I/2/DC/T6 Ta = 55°C/T5 Ta = 70°C/T4A Ta = 85°C NI/I/2/IIC/T6 Ta = 55°C/T5 Ta = 70°C/T4 Ta = 85°C <b>IEC Zone II</b> <b>Certificate Number: 05ATEX1408</b> Coding: II 3 G EEx nL IIB T3

\*Specifications subject to change without notice.



## FIXED INTENSITIES (CANDELAS)

Input Power, W	RED	GREEN	WHITE	YELLOW
3.1	200	216	278	178
6.2	340	366	538	301
12.4	425	535	915	439
15.6		580	1055	475
19.4		680	1239	

Note: Values in this table are from a 1x6 LED configuration.

Maximum LED power dissipation for flashing lanterns for full output is 6 watts.

Red LED/Red Lens, Yellow LED/Yellow Lens and Green LED/Green Lens filter factors are 0.85.