



FA-250 LED MR SERIES MEDIUM RANGE (+13 NM) MARINE LANTERN

The FA-250 LED Medium Range Marine Lantern offers the AtoN authority an LED lantern with the highest Lumen Maintenance value available in the market today. The light is a unique combination of high intensity and optical efficiency giving the possibility of a nominal range in excess of 13 nautical miles (T=0.74) and 19.5 nautical miles (T=0.85), depending on color and flashing character.

Features

- LED's mounted on specially designed patented heat sinks to keep the temperature of the LED below 50°C to assure the design life of 60,000 hours
- 15+1 selectable power level settings (one selectable)
- 255+1 Selectable flash rhythms (one selectable)
- Terminals for UNIFLASH® III wireless synchronization system or hardwired sync circuit (Optional)
- ATONIS ready for AIS Msg 21 and Msg 6 monitoring
- 3 tier units and all AC units require external controller



FA-250LED MR Models:

MR12-AI	LR120-AI
MR12-BI	LR120-BI
MR24-AI	LR240-AI
MR24-BI	LR240-BI

MR= Medium Range

12 = 12V nominal (10.5 -30VDC input)

24 = 24V nominal (10.5 -30VDC input)

120 = 120VAC 50/60 Hz input (external power supply)

240 = 240VAC 50/60 Hz input (external power supply)

A = 1 tier (4 Procyon light modules)

B = 2 tier (8 Procyon light modules)

I = electronic controller located in lantern base

**CORPORATE HEADQUARTERS
& MANUFACTURING
OPERATIONS**
Houston, TX
Phone: +1-713-228-5208
Fax: +1-713-228-3717
sales@automaticpower.com

U.S. LOCATIONS

PMAPI GULF OF MEXICO
Gray, LA
Rene "Boogie" LeBlanc
Phone: +1-985-223-8700
Fax: +1-985-223-8710
rleblanc@automaticpower.com

PMAPI WEST COAST
Novato, CA
Pete Dolan
Phone: +1-415-382-6296
Fax: +1-415-382-6299
pdolan@automaticpower.com

INTERNATIONAL LOCATIONS

AB PHAROS MARINE PTE LTD
Singapore
Phone: +65-6747-9325
Fax: +65-6746-0478
sales@pharos-api.com

**PHAROS MARINE LTD
MANUFACTURING OPERATIONS**
London, UK
Phone: +44-20-8538 1100
Fax: +44-20-8577 4170
sales@pharosmarine.com

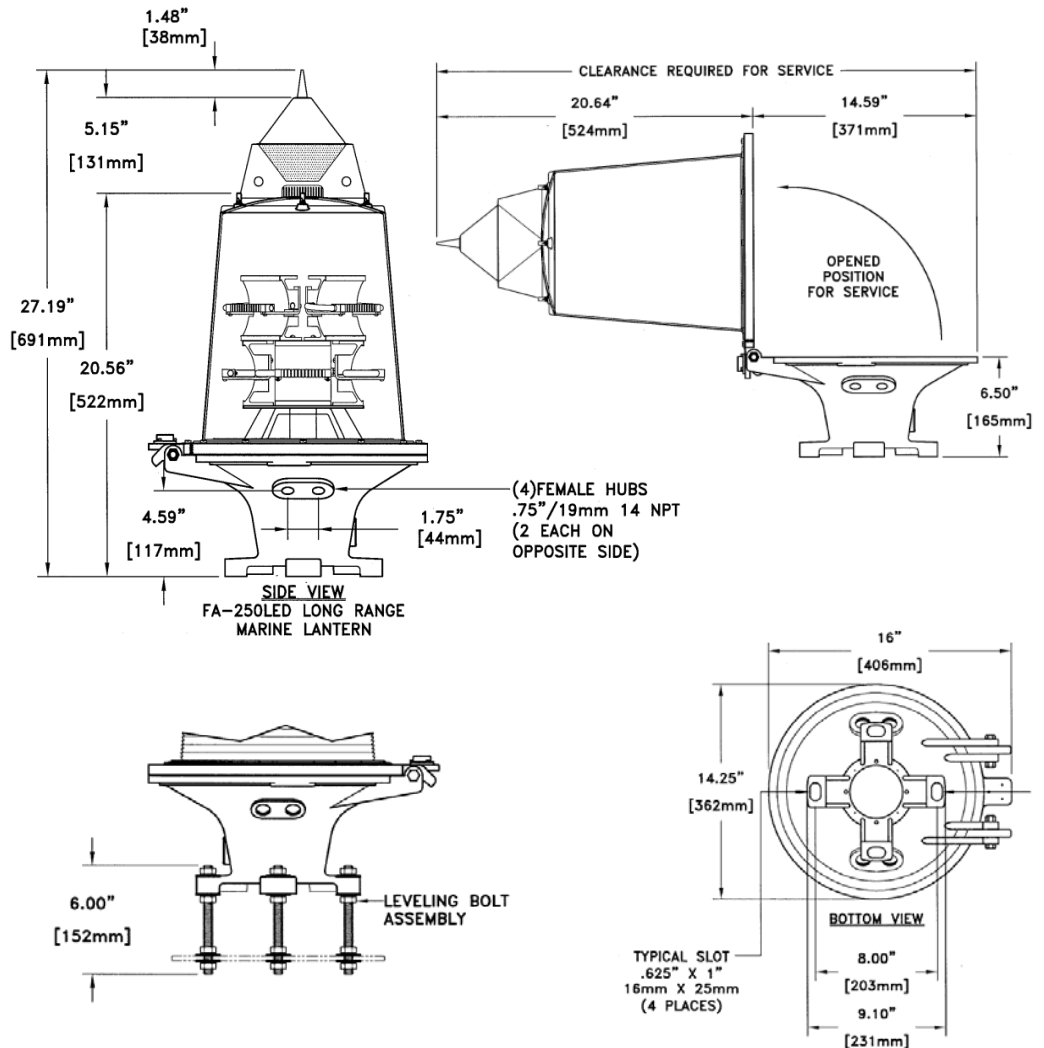
**SIMS SYSTEMS LTD
MANUFACTURING OPERATIONS**
Great Yarmouth, UK
Phone: +44-1493 659271
Fax: +44-1493 601882
info@sims-systems.com

www.automaticpower.com

SPECIFICATIONS

Height:	691 mm (27 3/16")
Weight:	20 kg (44 lbs.)
Input Voltage:	10.5-30 VDC; 120/240 VAC 50-60 Hz (External Controller Only)
Power Consumption:	See Table on Page 3 for Maximum Power
Available Colors:	White, Red, Green, Amber
Quiescent Current:	≤ 1.0 Watt
Lens Type:	250mm Precision-Molded, Clear, Acrylic Cover
Lantern Housing:	Cast Aluminum Base and Frame, Stainless Steel Fittings
Visibility:	360° Omnidirectional
Range:	Up to 13 NM, Depending on Color & Flash Rate
Vertical Divergence:	
White:	4° to 50%; 11° to 10%
All Other Colors:	3.2° to 50%; 8° to 10%
Monitor and Control:	Optional
Synchronization:	UNIFLASH® Wireless Sync or Hardwired (Optional)
Mounting:	(4) 20 mm (3/4") Holes on 200 mm Bolt Circle
Operating Temperature:	-40°C to +60°C
Ingress Rating:	IP-56

*Specifications subject to change without notice.



LED PHOTOMETRIC DATA (CANDELA)

Photometric Data Conforms to IALA Chromaticity and 90th Percentile Intensity Standards

*Average power must not exceed 100W for FA-250 housing.

INPUT POWER, W	RED (1X9)	GREEN (1X6)	YELLOW (1X6)
2-Tier LED PHOTOMETRICS (CD-Fixed)			
135		9 000	
100	9 800	6 200	
90	9 000	6 000	
72	8 000	5 500	4 200
60	7 000	4 800	3 490
30	3 600	3 000	2 220
15	1 850	1 680	1 225
1-Tier LED PHOTOMETRICS (CD-Fixed)			
84		5 170	
68	5 880	4 660	
50	5 410	3 400	
36	4 380	3 100	2 250
20	2 560	1 990	1 580
10	1 280	1 120	960
2.5	300	280	250

INPUT POWER, W	WHITE (1X6)
2-Tier LED PHOTOMETRICS (CD-Fixed)	
100	7 000
90	6 800
72	6 500
60	5 400
30	3 600
15	1 950
1-Tier LED PHOTOMETRICS (CD-Fixed)	
50	3 500
36	3 250
20	2 200
10	1 350
2.5	350

See related products catalog sheets:

FA-250LED LR for Long Range (18 NM) Lantern

FA-250LED LR-HA for Class I Div 2 Rated Lantern

FA-250LED L-864 for FAA (ETL) certified L-864 Beacon

FA-250LED MR-HA for Medium Range (13NM) Lantern

Contact PMAPI Sales office for unique requirements.