



## FA-250 MARINE LANTERN

The only modern acrylic lantern with an internal lens protected by a smooth outer cover, the FA-250 Marine Lantern is engineered to give the optimum mix of high horizontal candlepower, vertical divergence, reliable output under varying environmental conditions, and adaptability to different signaling requirements, simple logistics, and long service life with reduced spare parts requirements.

### Features

- 4- or 6-place motor driven, APCL-5/APCL-10 Flashchanger® with selectable flash rhythms, pulse width modulation regulation, solar charge regulator, monitoring, synchronization, self-test function, communications port, lamp out control terminal, photocell, and enhanced environmental protection
- Precision-molded acrylic Fresnel lens that has better optical characteristics and higher transmission than glass, and longer-term dimensional stability than cut acrylic; light weight and its color filter transmission is, typically, 25% higher than glass
- Smooth, protective acrylic lens cover eliminates the buildup of fillets of moisture, dust, salt spray, raindrops and other contaminants on the internal Fresnel lens prisms
- Can be simply and inexpensively converted to a different color or to colored sectors
- Has the widest vertical divergence of the long-range omnidirectional signaling lanterns
- Complies with the traditional IALA minimum vertical divergence of 2.5° and the FAA minimum vertical divergence of 3.0°



### Optional Features

- Bird spike
- Uniflash® III wireless synchronization system

**CORPORATE HEADQUARTERS  
& MANUFACTURING  
OPERATIONS**  
Houston, TX  
Phone: +1-713-228-5208  
Fax: +1-713-228-3717  
sales@automaticpower.com

**U.S. LOCATIONS**

**PMAPI GULF OF MEXICO**  
Gray, LA  
Rene "Boogie" LeBlanc  
Phone: +1-985-223-8700  
Fax: +1-985-223-8710  
rleblanc@automaticpower.com

**PMAPI WEST COAST**  
Novato, CA  
Pete Dolan  
Phone: +1-415-382-6296  
Fax: +1-415-382-6299  
pdolan@automaticpower.com

**INTERNATIONAL LOCATIONS**

**AB PHAROS MARINE PTE LTD**  
Singapore  
Phone: +65-6747-9325  
Fax: +65-6746-0478  
sales@pharos-api.com

**PHAROS MARINE LTD**  
MANUFACTURING OPERATIONS  
London, UK  
Phone: +44-20-8538 1100  
Fax: +44-20-8577 4170  
sales@pharosmarine.com

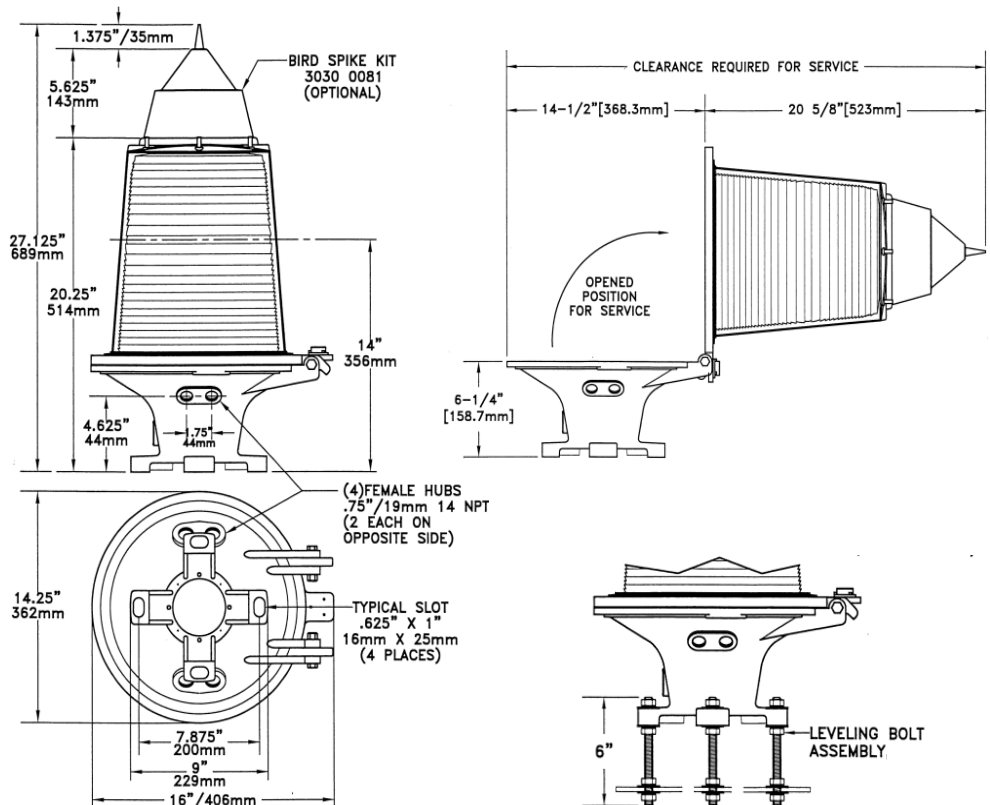
**SIMS SYSTEMS LTD**  
MANUFACTURING OPERATIONS  
Great Yarmouth, UK  
Phone: +44-1493 659271  
Fax: +44-1493 601882  
info@sims-systems.com

[www.automaticpower.com](http://www.automaticpower.com)

**SPECIFICATIONS**

<b>Dimensions:</b>	381 mm x 432 mm x 711mm (15" x 17" x 28")
<b>Weight:</b>	9 kg (19.5 lbs.)
<b>Shipping Dimensions:</b>	457mm x 508mm x 762mm (18" x 20" x 30")
<b>Shipping Weight:</b>	16 kg (35 lbs.)
<b>Input Voltage:</b>	6-30 VDC; 110-240 VAC 50-60 Hz
<b>Power Consumption:</b>	Variable Up to 500 Watts
<b>Lens Type:</b>	250 mm 360° Visibility Acrylic Fresnel Lens; Smooth Lens Cover
<b>Available Colors:</b>	Clear, Red, Green, Amber
<b>Lamps:</b>	Pre-focused T3.5, S-8, or S-11 Envelope and C-8 or CC-8 Filament, Incandescent or Tungsten Halogen Lamps
<b>Visibility:</b>	360° Omnidirectional; Directional or Bi-Directional (Optional)
<b>Vertical Divergence:</b>	2.5° - 4.7° to 10%
<b>Monitor and Control:</b>	Optional
<b>Synchronization:</b>	Uniflash® Wireless Synchronization or Hard Wire (Optional)
<b>Lantern Housing:</b>	Copper-Free Cast Aluminum Base, Stainless Steel Fittings
<b>Mounting:</b>	(4) 5/8" by 1" Slots on a 7 7/8" Bolt Circle - 90° Apart
<b>Operating Temperature:</b>	-20°C to + 40°C (Typical); Dependent on Configuration
<b>Ingress Rating:</b>	IP-56
<b>Certificates:</b>	<b>FM Approved</b> Listing Dependent on Internal Configuration

\*Specifications subject to change without notice.



## FIXED INTENSITIES (CANDELAS)

Lamp	FA-250 with Bird Spike	FA-250 with condensing panel*
<b>C-8 Filament</b>		
6v 0.25a	43	400
6v 0.46a	100	900
6v 0.70a	150	1400
6v 0.90a	210	1900
12v 0.25a	70	630
12v 0.55a	180	1800
12v 0.77a	270	2700
12v 1.15a	430	4300
12v 2.03a	860	8600
12v 3.05a	1190	11900
12v 9.0a	6270	56430
<b>CC-8 Filament</b>		
12v .5a	476	4384
12v 1.0a	877	8077
12v 2.0a	1883	17342
12v 3.0a	2483	22868
<b>Halogen Lamps</b>		
6.3V 38W	3280	28750
12V, 20W	1150	10350
12V, 35W	2550	22950
12V, 50W	2700	24300
12V, 75W	3575	32175
12V, 100W	6500	55,220
80V, 500W	15,320	140,000
120V, 500W	10,500	90,000

**Note:** For red lens cover multiply above by .30

For green lens cover multiply above by .32

For yellow lens cover multiply above by .68

\*Candela measured on axis of the condensing panel

\*\*Ventilation required if average load exceeds 75 watts.

Natural ventilation to 165 watts. Internal fan to 250 watts

and external ventilation fan for average loads above 250 watts.