

## OVERVIEW

The PMAPI molded fiberglass buoys incorporate superior design and construction characteristics which provide stable, long-life marking of channels, bays, rivers, and lakes. Offshore versions are also available.

## KEY FEATURES

- Smooth outside 8 mil Gel-Coat red, white, green or yellow film prevents fiberglass from weathering to the surface and insures resistance to color fading; it also provides good adhesive surfaces for retroreflective markings
- Polyurethane closed-cellular foam completely fills the buoy
- Counterweight is made of cast iron and has a flat bottom to provide a stand for the buoy during storage - the finned design proves stability in wind and current; angle of heel is less than 10° in a 20 mph wind
- Counterweight assembly is rigidly attached to a 3/16" steel plate which is bolted to the molded bottom of the buoy; this spreads normal stress throughout the hull which virtually eliminates the possibility of the counterweight breaking off the buoy body
- Both lighted and unlighted buoys are available
- Colors and markings suitable for all systems of buoyage can be supplied



## OPTIONAL FEATURES

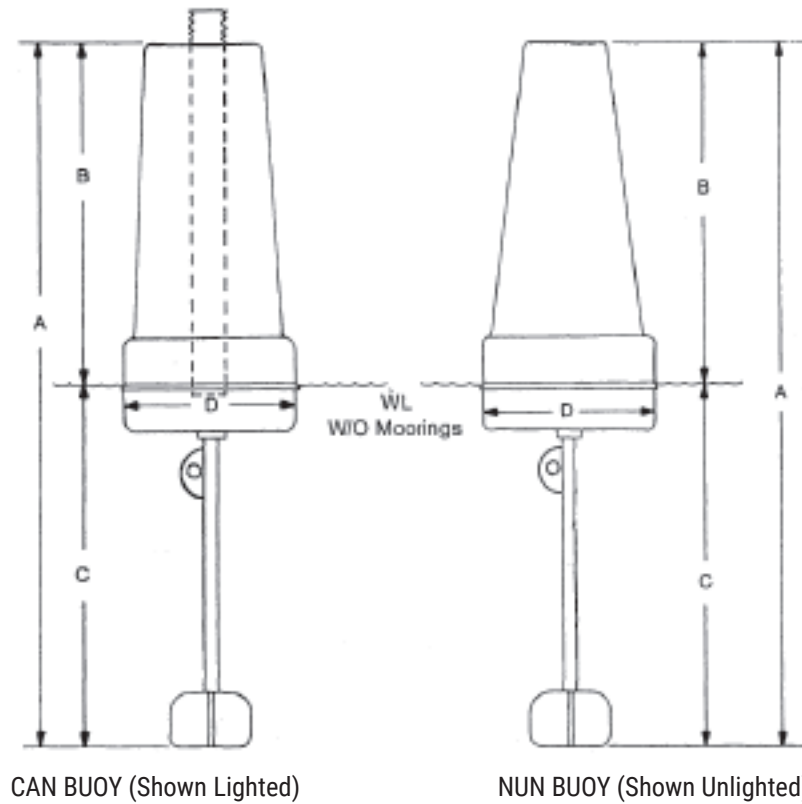
- Self-contained marine lantern
- Internal or external radar reflector
- Through rod and lifting eye
- Offshore modifications
- Colors and markings

## NUN BUOY SPECIFICATIONS

Dimensions	BA-323N	BA-17N
A	66"	86 1/2"
B	36"	44 1/2"
C	30"	42"
D	20"	20"
Daymark (Projected Area)	400 sq. in.	655 sq. in.
Weight	73 lbs.	84 lbs.
Submergence	11.3 lbs/in.	11.3 lbs/in.
Maximum Mooring Weight	40 lbs.	45 lbs.

## CAN BUOY SPECIFICATIONS

Dimensions	BA-323C	BA-17C
A	66"	80 1/2"
B	36"	38 1/4"
C	30"	42 1/4"
D	20"	20"
Daymark (Projected Area)	470 sq. in.	655 sq. in.
Weight	73 lbs.	86 lbs.
Submergence	11.3 lbs/in.	11.3 lbs/in.
Maximum Mooring Weight	40 lbs.	45 lbs.



\*All values are subject to change without notice.