



CLASS B SINGLE LIFT ASSEMBLY

Pharos Marine Automatic Power Class B Single Lift is a compact and durable assembly with FA-249LED lantern and the LIEX 710/051 half mile sound signal. It meets or exceeds U.S. Coast Guard requirements for Class B Aids to Navigation as specified in 33 CFR Sub-part 67.

The self contained unit includes a solar power system with batteries and battery box. The solar array can be positioned in the field to ensure it faces due south.

Lantern Features

- FA-249LED lantern with 155 mm clear, red, green, yellow, or blue acrylic lens
- 15+1 special programmable position (AM-8 LED Flasher/Controller Unit)
- 255+1 special programmable position (AM-6 LED Flasher/Controller Unit)
- Extremely high flux LEDs mounted on a STABRITE LED array system, driven by specially designed electronics
- LED array available in 1X6, 1X4, 1x8, 3X4 configurations
- Life expectancy in excess of 60,000 hours
- Optional Uniflash®-series GPS wireless synchronizing system, terminal strips, etc.
- Ability to accommodate an external photocell
- Optional remote monitoring
- High-efficiency TracSwitcher current controls; 82% of the battery current reaches the LED array on flash; 6 mA idle current between flashes
- Software programmable: photocell, low voltage disconnect, special flash rhythm, specialized current settings and solar charge control voltage setting
- Optional 365 day timer (AM-6)



Sound Signal Features

- Input voltage: 10.5-30 VDC
- Input Power to Horn: 14 Watts
- Input Power to Driver: 10 Watts
- Nominal Range: 1/2 Mile
- Frequency: 670 HZ. / 660 HZ
- Morse Code: 2-18 (10%)
- Power Supply: 12 V DC solar generator

SPECIFICATIONS

**CORPORATE HEADQUARTERS
& MANUFACTURING
OPERATIONS**
Houston, TX
Phone: +1-713-228-5208
Fax: +1-713-228-3717
sales@automaticpower.com

U.S. LOCATIONS

PMAPI GULF OF MEXICO
Gray, LA
Rene "Boogie" LeBlanc
Phone: +1-985-223-8700
Fax: +1-985-223-8710
rleblanc@automaticpower.com

PMAPI WEST COAST
Novato, CA
Pete Dolan
Phone: +1-415-382-6296
Fax: +1-415-382-6299
pdolan@automaticpower.com

INTERNATIONAL LOCATIONS

AB PHAROS MARINE PTE LTD
Singapore
Phone: +65-6747-9325
Fax: +65-6746-0478
sales@pharos-api.com

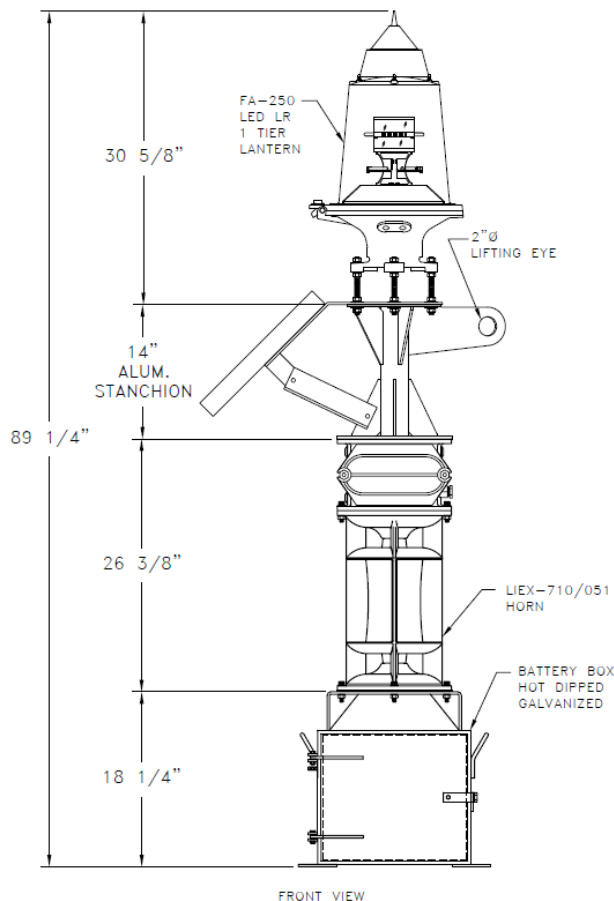
**PHAROS MARINE LTD
MANUFACTURING OPERATIONS**
London, UK
Phone: +44-20-8538 1100
Fax: +44-20-8577 4170
sales@pharosmarine.com

**SIMS SYSTEMS LTD
MANUFACTURING OPERATIONS**
Great Yarmouth, UK
Phone: +44-1493 659271
Fax: +44-1493 601882
info@sims-systems.com

www.automaticpower.com

Weight:	96.8 kg (213 lbs.)
Solar Array:	30 Watt
Batteries:	30 Day Capacity for Lantern and Sound Signal; Isolated Batteries for Each Sub-system as Required by 8 TH USCG District Rules
Visibility:	Varies by Configuration
Vertical Divergence:	Varies by Configuration
Monitor and Control:	Optional
Synchronization:	Uniflash®-Series GPS Synchronizing (Optional)
Operating Temperature:	-20°C to + 55°C
Ingress Rating:	Lantern: IP-56; Sound Signal: IP-66
Certificates:	<p style="text-align: right;">Lantern: FM Approved NI/I/2/DC/T6 Ta = 55°C/T5 Ta = 70°C/T4A Ta = 85°C NI/I/2/IIC/T6 Ta = 55°C/T5 Ta = 70°C/T4 Ta = 85°C</p> <p style="text-align: right;">Sound Signal: FM Approved NI/I/2/BCD/T4; -25 °C ≤Ta ≤+55 °C NI/I/2/IIB+H2/T4; -25 °C ≤Ta ≤+55 °C</p>

*Specifications subject to change without notice.



Variation of Class B Skid, Shown with FA-250

