

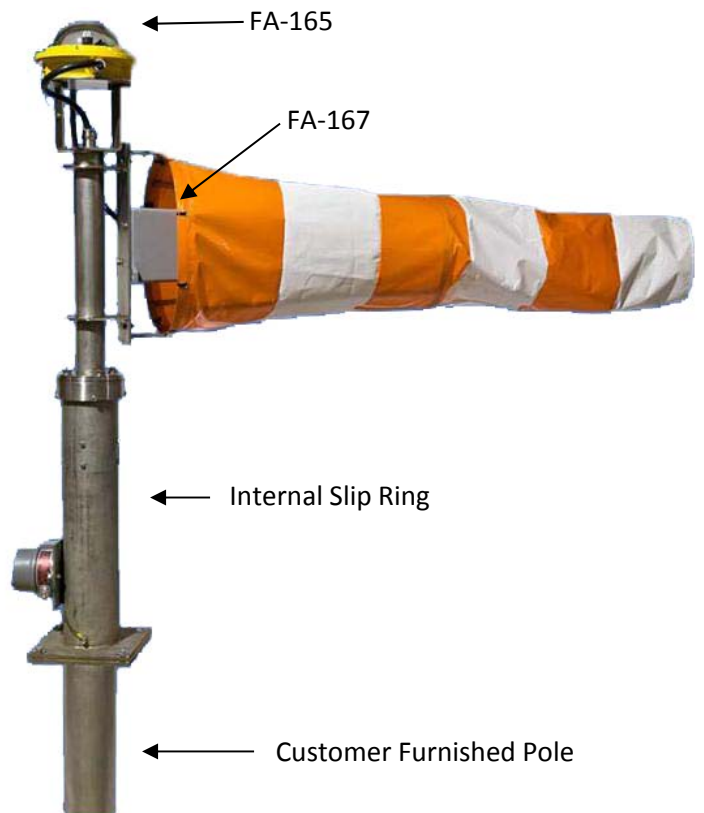


WS-HAZARDOUS AREA LED LIGHTED WINDSOCK

The WS-Hazardous Area LED Lighted Windsock is an LED based lighted Windsock for offshore helidecks on platforms, drilling rigs and floating production systems (FPSOs).

Features

- Windsock is internally illuminated
- Utilizes advanced LED lighting technology coupled with certified components, lighting fixtures and slip rings to give exceptional service life with very low maintenance
- Stainless steel stanchion and cast marine grade aluminum lighting fixtures with toughened glass globe provide superior performance to plastic products in high temperature, high UV and chemically contaminated marine environments
- Windsock does not interfere with a pilot's night vision
- Provides reliable wind direction and wind speed indications
- Lighting complies with CAP 437 guidelines and ICAO Annex 14
- Suitable for installation in either NEC 500/505 Class 1 Div. 2, Zone 2, or ATEX/IECEx Zone 1, depending on configuration



Windsock Lighting Fixtures

FA-165 SERIES: 3 watt Red LED Array aviation obstruction light conforming to 10 candela ICAO standard or a 20 watt 50 to 200 candela to CAP 168 Group B

FA-167: 15 Watt Array of individual White LEDs specifically designed to provide superior internal illumination for windsocks

SPECIFICATIONS

**CORPORATE HEADQUARTERS
& MANUFACTURING
OPERATIONS**
Houston, TX
Phone: +1-713-228-5208
Fax: +1-713-228-3717
sales@automaticpower.com

U.S. LOCATIONS

PMAPI GULF OF MEXICO
Gray, LA
Rene "Boogie" LeBlanc
Phone: +1-985-223-8700
Fax: +1-985-223-8710
rleblanc@automaticpower.com

PMAPI WEST COAST
Novato, CA
Pete Dolan
Phone: +1-415-382-6296
Fax: +1-415-382-6299
pdolan@automaticpower.com

INTERNATIONAL LOCATIONS

AB PHAROS MARINE PTE LTD
Singapore
Phone: +65-6747-9325
Fax: +65-6746-0478
sales@pharos-api.com

**PHAROS MARINE LTD
MANUFACTURING OPERATIONS**
London, UK
Phone: +44-20-8538 1100
Fax: +44-20-8577 4170
sales@pharosmarine.com

**SIMS SYSTEMS LTD
MANUFACTURING OPERATIONS**
Great Yarmouth, UK
Phone: +44-1493 659271
Fax: +44-1493 601882
info@simms-systems.com

www.automaticpower.com

Mechanical Dimensions:	1530 mm x 1560 mm (60 1/4" x 61 7/16")
Input Voltage:	24 VDC or 120/220/240 AC Input
Power Consumption:	35 Watts Total
Monitor and Control:	External Monitoring & Control on Request
Operating Temperature:	-20°C to +40°C

Certificates:

Slip Ring:

ETL: Class 1, Division 1, Group C & D, T5
Class 1, Zone 1, AEx d IIB, T5

CSA: Class 1, Division 1, Group C & D, T5
Class 1, Zone 1, Ex d IIB T5

IECEX: Ex d IIB T5 Gb
ATEX: cE 0334  II 2 G Ex d IIB T5 Gb

FA-167EX:

Class 1, Div. 1, Groups B, C, D
Class 1, Zone 1, Groups IIB+H2, IIA
NEMA 4X, 7(B,C,D)
Ta -20°C to +40°C

CENELEC/ATEX/IEC Ex

EExd IIC T6 or T5
IP66 T80°C or T90°C
Ex d IIC T6 or T5
Ex tD A21 IP66 T80°C or T90°C
Ta -20°C to +40°C

FA-165 SERIES:

Class 1, Div. 2, Groups B, C, D
Ta 54°C T5

EC-TYPE EXAMINATION CERTIFICATE

Certificate Number: ITS10ATEX17055X

Coding: II 2 G Ex d IIB T5 Ta -20°C to +55°C Gb

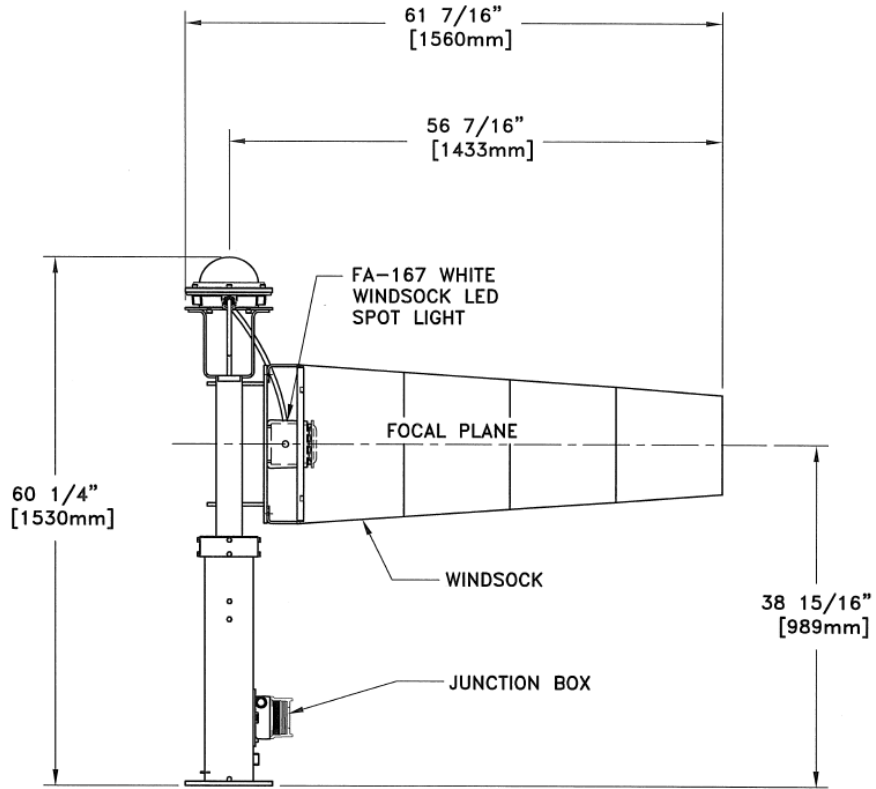
Certificate No.: IECEx ITS 10.0041X

Coding: Ex d IIB T5 Tamb -40°C/-20°C to +55°C Gb (Dependent
on model)

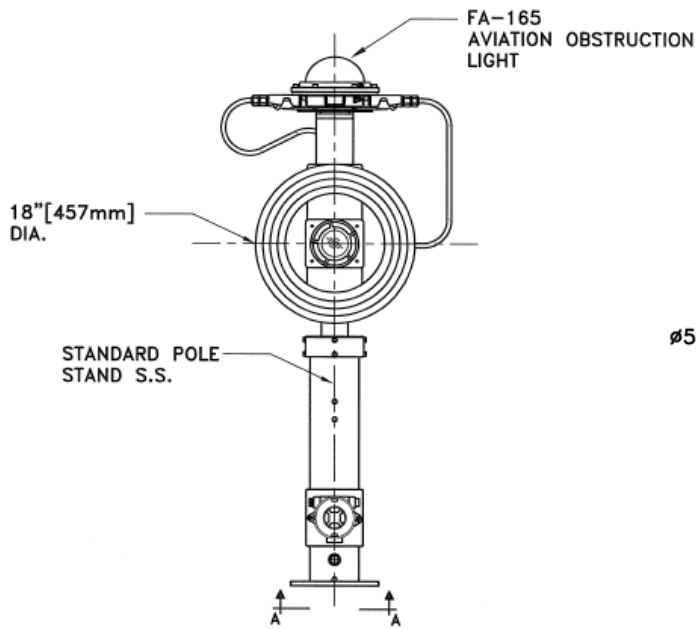
*Specifications subject to change without notice.



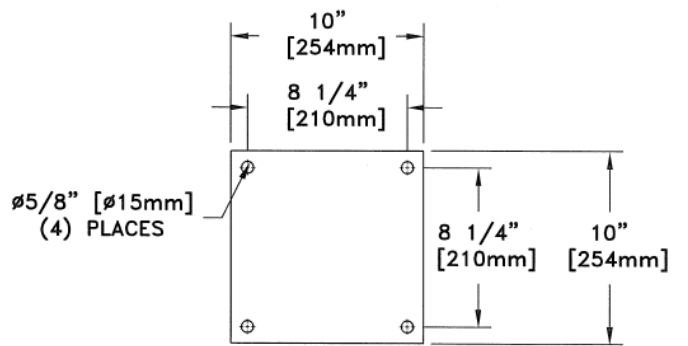
ADDITIONAL INFORMATION



SIDE VIEW



FRONT VIEW



VIEW A-A
MOUNTING DETAIL