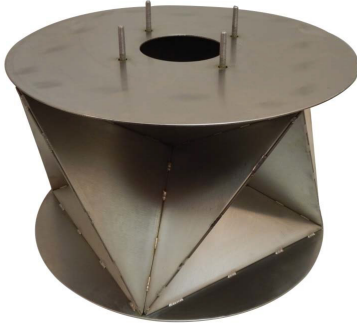




FA-166EX 149mm

Hazardous Area Spot/Flood LED Lighting Fixture



OVERVIEW

To enhance the radar signature of seamarks, buoys and lightfloats, most authorities fit them with radar reflectors.

Based on a well-tested traditional design, the RO 45 octahedral radar reflector can be mounted on buoys and beacon installations.

KEY FEATURES

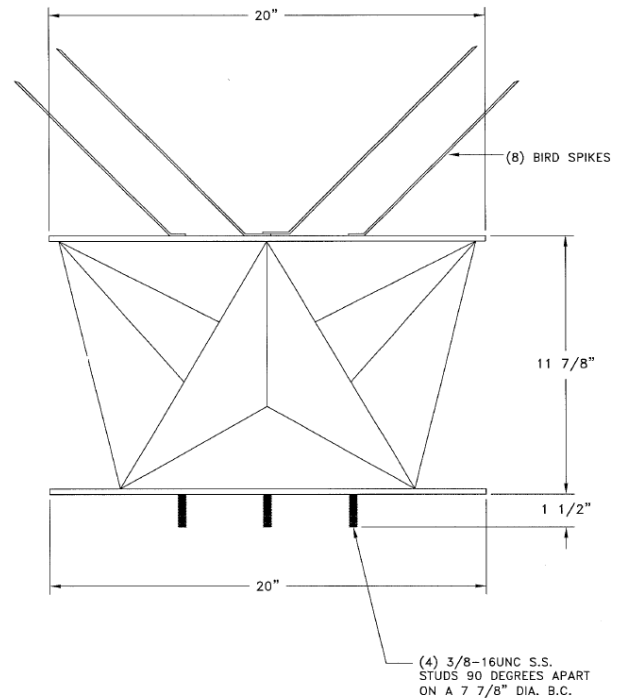
- Lightweight
- Rugged construction
- Easy to install
- No maintenance
- Compact, high efficiency design

PHYSICAL SPECIFICATIONS

| | |
|-------------------------------------|--------------------------------------|
| Type | Octahedral |
| Coverage | 360° |
| Echoing Area (Radar Crossd Section) | 7.4 to 10 m ² (Typically) |
| Construction | Stainless Steel or Aluminum |
| Protection | Painted |
| Weight | 35.9 lbs. (16.3 kg) |
| Diameter | 20" (508mm) |
| Overall Height | 11 7/8" (302mm) |
| Fixing | (4) 3/8-16 x 1 1/2" Studs |

PARTS

| Part Number | Material | Bird Spike |
|-------------|-----------------|------------|
| 8010-1937 | 304 S.S. | No |
| 8010 1937/1 | 304 S.S. | Yes |
| 8010-1937/2 | 316 S.S. | No |
| 8010-1937/3 | 12GA Alum. 5052 | No |
| 8010-1937/4 | 304 S.S. | Yes |
| 8010-1937/5 | 12GA Alum. 5052 | Yes |



*All values are subject to change without notice.

Pharos Marine Automatic Power, Inc.
Houston, TX - USA
sales@automaticpower.com
Phone: +1-713-228-5208

Pharos Marine Automatic Power
Gray, LA - USA
rleblanc@automaticpower.com
Phone: +1-985-223-8700

Pharos Marine Automatic Power, Ltd.
London, UK
sales@pharosmarine.com
Phone: +44-20-8538-

AB Pharos Marine Pte.
Singapore
sales@pharos-api.com
Phone: +65-6747-9325