

OVERVIEW

PMB600RM is an outstanding small-range buoy suitable for in shore/ estuary locations. Consisting of 1 piece virgin MDPE, UV stable float sections filled with closed cell, water resistant polyurethane foam and built around an integral steel core incorporating one lifting and mooring eyes for optimum strength and reliability. The superstructure is manufactured from 'twin skin' design virgin, UV stabilized MDPE offering strength and lightweight characteristics. The flexible design is adaptable to a wide range of Self-Contained Navigation Lights, Radar Reflectors, and Day/Top marks.

The buoys are built to last in extreme conditions. Even if the skin is punctured, the close cell foam filled polyethylene hull sections negate water absorption and keep it fully operational.

The range has been designed for ease of installation and transportation. They can be shipped and deployed or maintained quickly on-site.

The design of our Rotationally Moulded Polyethylene Buoys is meant to give customers the best of both worlds. They are lighter than steel, provide excellent performance, longevity and cost less. Maintenance is easy and a lower overall cost and a wide range of competitively priced accessories are available.

KEY FEATURES

- One piece float section
- Outstanding short-range buoy
- Excellent stability
- Does not require painting
- Low maintenance
- Wide range of Self-Contained navigation lights accepted
- Each section can be colored to suit IALA specifications

OPTIONAL FEATURES

- Mould in Graphics
- Day marks
- Radar Reflection
- Mould-in Graphics Available
- Environmentally Friendly
- Recyclable

PHYSICAL SPECIFICATIONS

Diameter (mm / inches)	550 / 22
Overall Weight (kg / lbs)	30 / 66
Adjustable Ballast (kg / lbs)	15 / 33
Overall Height (mm / inches)	1050 / 41
Maximum Focal Plane Height (mm / inches)	700 / 26
Nominal Freeboard (mm / inches)	185 / 7.3
Nominal Draft (mm / inches)	260 / 10.23
Minimum Freeboard (mm / inches)	80 / 3.15
Maximum Draft (mm / inches)	360 / 14.17
Gross Buoyancy (kg / lbs)	75 / 165
Reserve Buoyancy (kg / lbs)	45 / 99
Submergence (kg / cm, lbs/ inch)	2.7 / 15
Visual Area (Without Day mark) (m ² / ft ²)	--
Visual Area (With Day mark – CAN Shape) (m ² / ft ²)	0.28 / 3
Visual Area (With Day mark – CON Shape) (m ² / ft ²)	0.25 / 2.7
Minimum Mooring Weight (kg / lbs)	--
Maximum Mooring Weight (kg / lbs) (To Maintain Minimum Freeboard)	27 / 59

CONSTRUCTION

Float	Rotationally moulded UV stabilized virgin polyethylene, MDPE, 7mm thick filled with closed cell polyurethane foam.
Super structure material	Rotationally moulded twin skin design MDPE, virgin polyethylene 9mm thick
Mooring Assembly	Stainless Steel
Radar Reflector	Echomax (optional)
Colours	As specified per IALA recommendations

BUOY CONFIGURATIONS

Regulatory



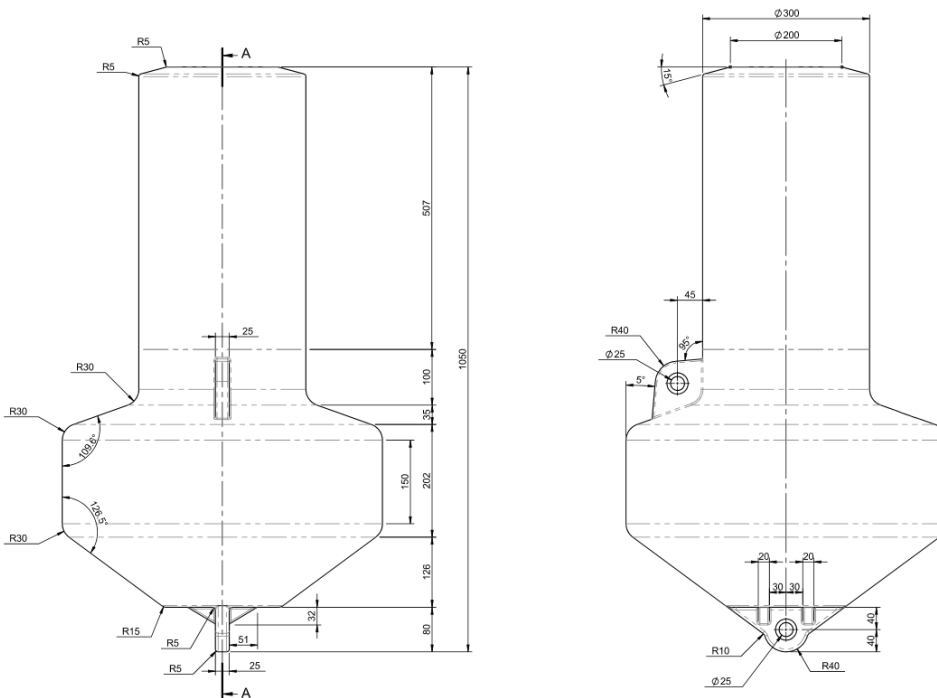
Lateral



Special



PMB600 also available with cone shape



**All values are subject to change without notice.*



Pharos Marine Automatic Power, Inc.
Houston, TX - USA
sales@automaticpower.com
Phone: +1-713-228-5208

Pharos Marine Automatic Power
Gray, LA - USA
rieblanc@automaticpower.com
Phone: +1-985-223-8700

Pharos Marine Automatic Power, Ltd.
London, UK
sales@pharosmarine.com
Phone: +44-20-8538-

AB Pharos Marine Pte.
Singapore
sales@pharos-api.com
Phone: +65-6747-9325