



LIEX-710/051

FM Approved 1/2-Mile Fog Signal



OVERVIEW

The **LIEX-710/051** is a compact, lightweight, and reliable sound emitter designed for use in marine applications. Proven in over 40 years of service in the marine environment, the LIEX-710 horn's rugged construction and water proof design make it ideal for mounting on offshore oil platforms and drilling rigs, offshore wind farms, calm buoys and floating production systems(FPSOs).



A 1 LIEX-710 emitter system is designated as the LIEX-710/051. It is U. S. Coast Guard approved for 1/2 mile range with 9.5 watt input to the emitter.
LIEX-710/051 FM APPROVED 1/2-MILE FOG SIGNAL

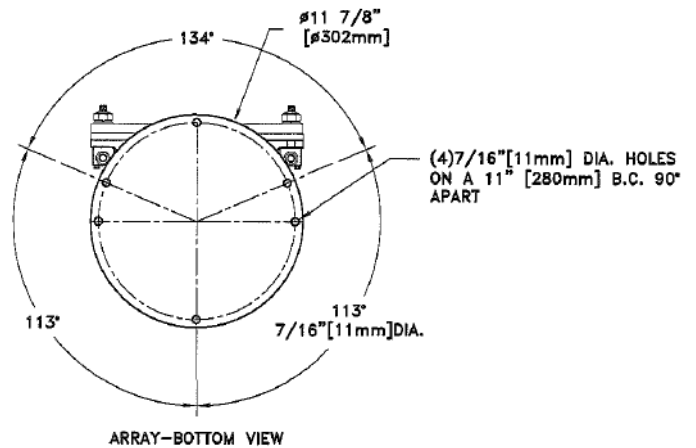
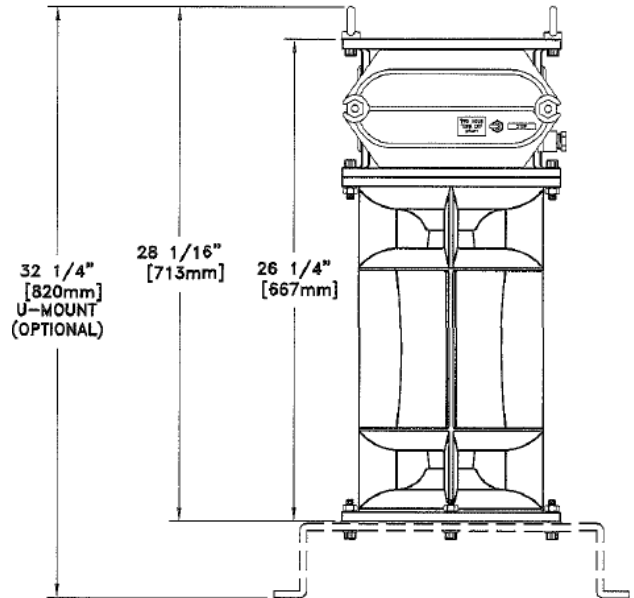
KEY FEATURES

- Resonates at approximately 670 Hz
- Designed at an optimum frequency to maximize range rating for both U. S. Coast Guard and IALA criteria
- Omnidirectional audio output
- Microprocessor-based control electronics
- Remote control terminals for a fog detector, a remote coder or an "at will" switch - a fog detector is useful on manned platforms where running the foghorn continuously is a noise irritant; working without human intervention, the foghorn/fog detector automatically activates the foghorn in low visibility when it is required by regulations and prevents it from sounding under all other conditions
- Power supply includes remote code selector terminals for changing the sounding rhythm and terminals for synchronizing the horn with other horns or lights
- Synchronizing may also be accomplished by a centralized master coder
- Terminals are also provided for a 2 hour temporary silence control - this switch allows a technician to temporarily disable the foghorn; after the time out period, foghorn returns to sounding its designated code without the technician having to remember to manually switch the foghorn back on

PHYSICAL SPECIFICATIONS

Nominal Range	1/2 Mile
Frequency	670 Hz / 660 Hz
Height	667 mm (26 1/4")
Diameter	302 mm (11 7/8")
Weight	32 kg (70 lbs.)
Shipping Weight	45 kg (100 lbs.)
Mounting	(4) 11 mm (7/16") Holes on a 280 mm (11") B.C.
Housing	Marine Grade Cast Aluminum
Input Voltage	10.5-30 VDC; 120 or 230 VAC (Different Supply Voltages Possible Upon Request)
Input Power to Horn	16 Watts
Output Power to Drivers	9.5 Watts
Operating Temperature	-25°C to 55°C
Corrosion Protection	NEMA-4X
Ingress Rating	IP-66

Certificates
FM Approved
 NI/I/2/BCD/T4; -25 °C ≤ Ta ≤ +55 °C
 NI/I/2/IIB+H2/T4; -25 °C ≤ Ta ≤ +55 °C
 ATEX or IECEx Zone 1 & 2 Versions Also Available



**All values are subject to change without notice.*