



OVERVIEW

The **LIEX-710/22** is a compact, lightweight, and reliable sound emitter designed for use in marine applications. Proven in over 40 years of service in the marine environment, the LIEX-710 horn's rugged construction and water proof design make it ideal for mounting on offshore oil platforms and drilling rigs, offshore wind farms, calm buoys and floating production systems (FPSOs).



A 2 LIEX-710 emitter system is designated as the LIEX-710/22. It is U. S. Coast Guard approved for 2 mile range with 110.3 watt input to the emitter. LIEX-710/22 FM APPROVED 2-MILE FOG SIGNAL

KEY FEATURES

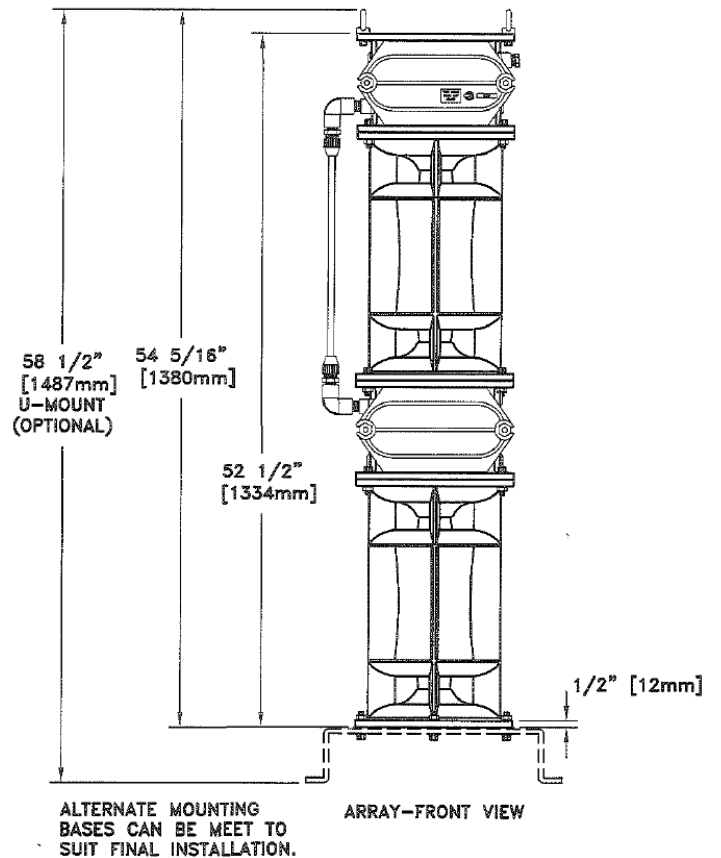
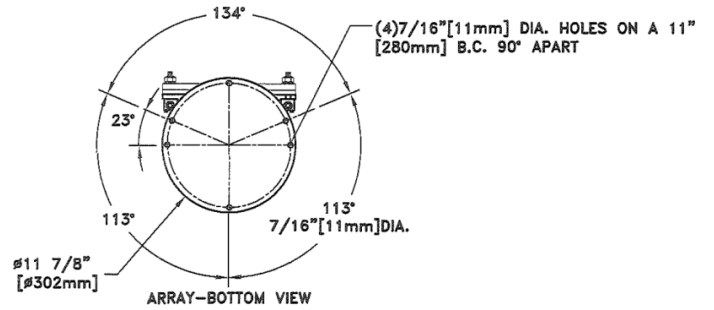
- Resonates at about 670 Hz
- Designed at an optimum frequency to maximize range rating for both U. S. Coast Guard and IALA criteria
- Omnidirectional audio output
- Microprocessor-based control electronics
- Remote control terminals for a fog detector, a remote coder or an "at will" switch - a fog detector is useful on manned platforms where running the foghorn continuously is a noise irritant; working without human intervention, the foghorn/fog detector automatically activates the foghorn in low visibility when it is required by regulations and prevents it from sounding under all other conditions
- Power supply includes remote code selector terminals for changing the sounding rhythm and terminals for synchronizing the horn with other horns or lights
- Synchronizing may also be accomplished by a centralized master coder
- Terminals are also provided for a 2-hour temporary silence control - this switch allows a technician to temporarily disable the foghorn; after the time out period, foghorn returns to sounding its designated code without the technician having to remember to manually switch the foghorn back on

PHYSICAL SPECIFICATIONS

Nominal Range	2 Mile
Frequency	670 Hz / 660 Hz
Height	1333.5 mm (52.5")
Diameter	302 mm (11 7/8")
Weight	63 kg (140 lbs.)
Shipping Weight	91 kg (200 lbs.)
Mounting	(4) 11 mm (7/16") Holes on a 280 mm (11") B.C.
Housing	Marine Grade Cast Aluminum
Input Voltage	10.5-30 VDC, 120 or 230 VAC (Optional Supply Voltages Available Upon Request)
Input Power to Horn	140.0 Watts
Output Power to Drivers	110.3 Watts
Operating Temperature	-25°C to 55°C
Corrosion Protection	NEMA-4X
Ingress Rating	IP-66

Certificates	FM APPROVED
	NI/I/2/BCD/T4; -25 °C ≤ Ta ≤ +55°C
	NI/I/2/IIB+H2/T4; -25 °C ≤ Ta ≤ +55°C

ATEX or IECEx Zone 1 & 2 Versions Also Available



*All values are subject to change without notice.