



# FA-166EX 149mm

## Hazardous Area Spot/Flood LED Lighting Fixture



### OVERVIEW

The FA-166EX Hazardous Area Fixture is engineered to perform multiple lighting functions on offshore production platforms and drilling rigs. Its rugged, heavyduty construction provides superior performance to plastic products in high temperature and high UVmarine environments.

### CERTIFICATES

- Class 1, Div. 1, Groups B, C, D
- Class 1, Zones 1, Groups IIB+H2, IIA
- Ta -20°C to +40°C
- CENELEC/ATEX/IEC Ex  
EExd IIC T6 or T5  
T80°C or T90°C  
Ex d IIC T6 or T5

### KEY FEATURES

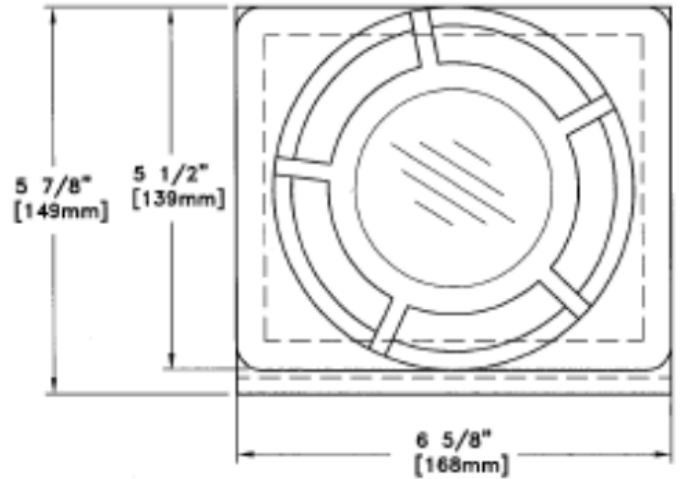
- On approximately 22.5m x 22.35m helideck, the average illumination values are 18.8 lux for the "H" and 20.6 lux for the helideck.
- Features high flux LED arrays mounted on a stainless steel, parabolic reflector; highly efficient reflector uses a state of the art dichroic hybrid spectral metal coating
- LEDs are mounted on metal core PCBs with patented integrated heat pipes to cool the LED arrays without a cooling fan
- LED array has the highest design life in the marketplace (greater than 60,000 hour)
- Higher output with lower power consumption
- Meets CAP437 and ICAO signaling requirements
- 3° vertical by 35° horizontal illumination for helidecks and other area illumination
- Once installed, no maintenance required
- Electronic controller is housed in a separate housing that can be located as much as 500 meters away from the light
- Controller provides current limiting to the LED array

## PHYSICAL SPECIFICATIONS

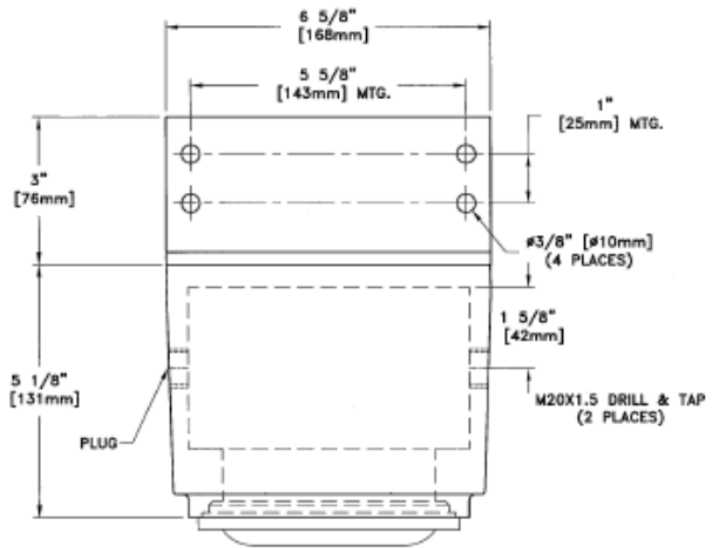
Height	221 mm (8 ¾")
Weight	168 mm (6 ⅝")
Width	8.4 kg (18 ½ lbs.)
Input Voltage	24VDC; 110V/220V 50-60Hz Available
Power Consumption	< 20 W
Available Colours	White
Monitor and Control	External Control Required
Lantern Housing	Cast Marine-Grade Aluminum w/ Tempered Glass Window
Operating Temperature	-20C to ++40C
Ingress Rating	IP-66
Corrosion Protection	NEMA 4X

## PHYSICAL SPECIFICATIONS

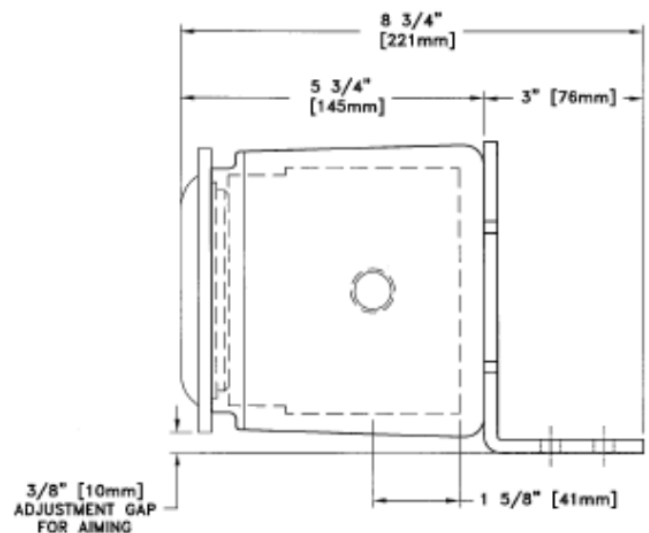
Comparison	API FA-166EX	Xenon Spotlight
Number of Lights Required	4	4
Illumination Source	LED	Xenon Lamp
Light Source Life	Greater than 50,000 hours	1,000 hours
Power Consumption	20W (80W total)	50 W (200W total)
Total Lumens	8000 Lumens	4000 Lumens
Photometrics	3° V, 35° H	3° V, 5° H
Illumination (Average)	20.6 Lux on Helideck 18.8 Lux on "H"	13 Lux on Helideck 4.4 Lux on "H"
Cost	Approx. 1/2 the Cost Per Light	Approx. Twice the Total Cost
Size	149 x 229 x 221mm	185 x 420 mm
Protection	IP-66, NEMA- 4X/7	IP 66/67
Temperature	-20°C to + 40°C	-20°C to +40°C
Ease of Use	Once installed, no maintenance required.	Need to remove light to work shop to change lamp; disassembly of light required. Requires special tools and EX certified personnel.



FRONT VIEW



TOP VIEW



LEFT SIDE VIEW

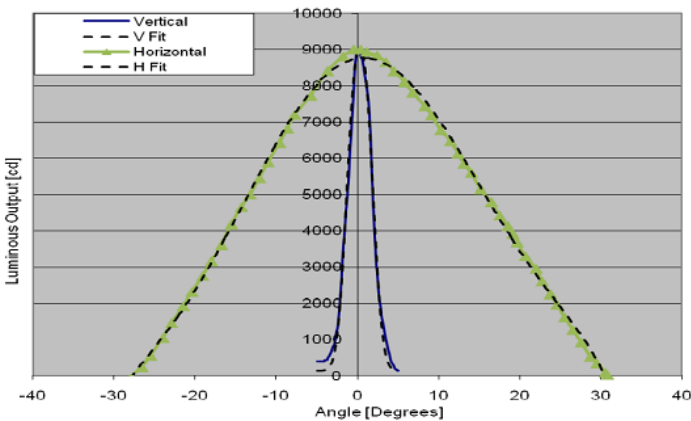


Figure 1 - FA-166 EX Spotlight max candela. The dark line in the graph is data for the vertical axis of the flood lamp.



\*All values are subject to change without notice.

Pharos Marine Automatic Power, Inc.  
Houston, TX - USA  
sales@automaticpower.com  
Phone: +1-713-228-5208

Pharos Marine Automatic Power  
Gray, LA - USA  
rleblanc@automaticpower.com  
Phone: +1-985-223-8700

Pharos Marine Automatic Power, Ltd.  
London, UK  
sales@pharosmarine.com  
Phone: +44-20-8538-

AB Pharos Marine Pte.  
Singapore  
sales@pharos-api.com  
Phone: +65-6747-9325