



FA-165HA

Class 1 Div 2 Helideck Perimeter Light



OVERVIEW

The FA-165HA is a LED based Low Intensity Helideck Perimeter Light designed for extreme environments such as high UV, corrosive gasses and marine conditions encountered on offshore oil and gas production facilities, drilling rigs, support vessels and refineries.

Designed to be placed in remote locations, the lantern incorporates very long lived LEDs to minimize scheduled maintenance. The FA-165HA LEDs are mounted on metal core PCBs with patented integrated heat pipes to cool the LED array without a cooling fan. This highly efficient, passive, cooling system gives the LED array the highest design life in the marketplace (greater than 60,000 hours).

CERTIFICATES

- FM Approved
- Class 1, Div. 2, Groups A, B, C, D
-20°C ≤ Ta 54°C T5, Ta 74°C T4A
- CAP 437 Photometric and Chromaticity Test Certificate
- Intertek Report No.: 100224354 CRT-002

KEY FEATURES

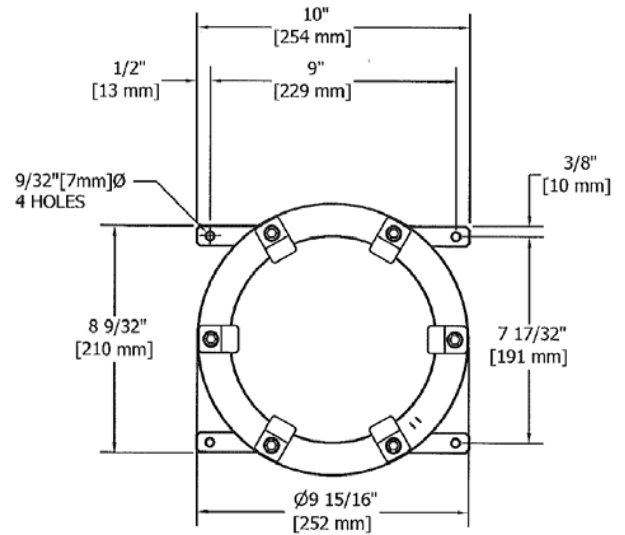
- Two options for electronic controllers:
 - 00-240 ± 10% VAC 50-60 Hz internal controller
 - 10-30 VDC internal controller
- Integrated heat pipe eliminates need for cooling fan
- No moving parts
- Cover is tempered toughed glass, able to withstand high temperature and impact
- Base is impregnated, anodized and painted cast marine grade aluminum
- Stainless steel hardware
- Four 7mm diameter mounting holes. 229 mm (9") x 191 mm (7 17/32")

VARIATION OF LANTERNS

- FA-165HA: 6.5 DC Watts; 8.0 AC Watts, Green LED Perimeter light conforming to CAP 437.
- FA-165HA: 7.0 DC Watts; 8.5 AC Watts, 30 candela Yellow LED Perimeter light.
- FA-165HA: 9.0 DC Watts; 11.0 ACWatts, 15 candela Blue LED Perimeter light.
- FA-165HA: Tricolor Perimeter Light. (Power requirements change depending on color. See above for details.) The Green/Yellow/Blue LED array is a selectable color Perimeter Light allowing drilling rigs, service vessels , etc. to display a CAP 437 Green perimeter light or 30/15 Candela Yellow/Blue perimeter lights from the same fixture.

PHYSICAL SPECIFICATIONS

Height	150 mm (5.86")
Weight	5 kg (12 lbs.)
Input Voltage	12, 24 VDC or 100-240 VAC
Power Consumption	Varies by LED Color
Available Colours	Green, Yellow, Blue, and Tri-Color
Quiescent Current	Varies by Components
Lens Type	Tempered Glass
Visibility	CAP 437 Green or 30/15 Candela Yellow/Blue
Vertical Divergence	Per CAP 437
Monitor and Control	Varies by Components
Lantern Housing	Epoxy Coated Cast Marine Grade Aluminum Base
Operating temperature	Varies by Components
Ingress Rating	IP-66



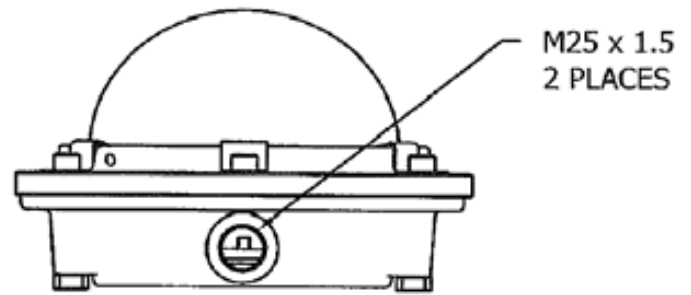
TOP VIEW

The following ordering matrix is designed to assist you in the selection of the correct unit for your application. Build up the reference number by inserting the code for each component into the appropriate box.

FA-165HA Perimeter Light

Model	Color	Voltage/ Electronics	Temperature	Photocell
165HA				A1
	Color	Voltage	Temp	None
	Code	Code	Code	
	Green 1G	DC 1A	+54°C 1	
	Blue 1B	AC 3E	+74°C* 2	
	Yellow 1Y			

* AC version operating temperature limited to +70°C due to Power Supply limitations

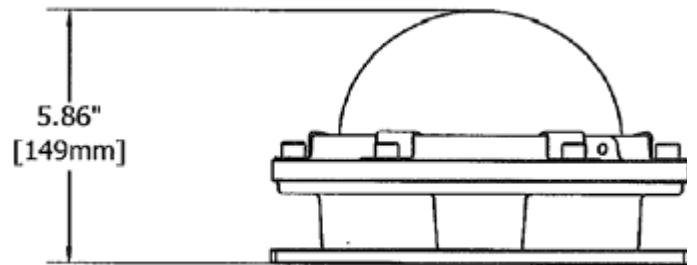


SIDE VIEW

FA-165HA Perimeter Tri-Color Light

Model	Color	Voltage/ Electronics	Temperature	Photocell
165HA	2Z			A1
	Tricolor (Y/B/G)	Voltage	Temp	None
		Code	Code	
		DC* 1A	+54°C 1	
		DC** 1C	+74°C* 2	
		AC 3E		

* 17-30VDC
** 10-17VDC
* AC version operating temperature limited to +70°C due to Power Supply limitations



FRONT VIEW



**All values are subject to change without notice.*

Pharos Marine Automatic Power, Inc.
Houston, TX - USA
sales@automaticpower.com
Phone: +1-713-228-5208

Pharos Marine Automatic Power
Gray, LA - USA
rleblanc@automaticpower.com
Phone: +1-985-223-8700

Pharos Marine Automatic Power, Ltd.
London, UK
sales@pharosmarine.com
Phone: +44-20-8538-

AB Pharos Marine Pte.
Singapore
sales@pharos-api.com
Phone: +65-6747-9325