



BATTERY OPERATED BARGE LIGHT

*Incandescent Marine Lantern
2 - 5 NM at 0.74T*



OVERVIEW

PMAPI manufactures five models of Battery Operated Barge Lights: Types I, III, IV and VI, to meet the needs of either the inland or ocean going operator for battery operated running lights. Our barge lights meet the technical requirements of the 72 colregs for barges.

KEY FEATURES

- All running lights include an on/off switch, photocell, battery, lamp and required sector screening as standard equipment
- Solar Powered versions are available
- Available to project Red, Green, Yellow or White light
- Types I, II, III and IV are portable and can be easily moved from one barge to another as the tow configuration changes (Type VI should be permanently attached to the barge)

TYPES I, II, III, and IV

Type 1

- Highly portable (10 lbs.)
- Best suited for short haul operations
- Will operate for one night and then battery, mounted inside, must be recharged for approximately 8 hours
- Battery will last for 200-300 charge/recharge cycles
- Lamp will operate approximately 60 nights before needing replacement
- Optional self-limiting battery charger with 110V, 50 or 60 cycle AC current can be left indefinitely charging the battery

Type 3

- Consists of a lantern and separate battery box to provide a longer service period
- Unit requires 5 battery cells which are housed in a fiberglass box
- Standard 5 ft. interconnecting cable with waterproof connector
- Longer cable lengths can be provided if specified

Type 4

- Identical to Type III except that a four place lampchanger replaces the single lamp and support
- Lampchanger automatically replaces a burned out lamp with a new one, extending the lamp service period

Type 5

- Heavy duty, non-portable
- Designed to be permanently mounted on barge deck
- Steel fabricated battery box is hot dipped galvanized
- Lantern and screen mount directly atop battery box
- Large capacity battery with a 6-place lampchanger provides extended service required for sea going barges

VISIBILITY

Lamp	Color	Range (Mi.)
6.2V, .25 Amp C-8 Filament	White	4
	Green	2
	Red	2
	Yellow	3
6.2V, .46 Amp C-8 Filament	White	5
	Green	3
	Red	3
	Yellow	5

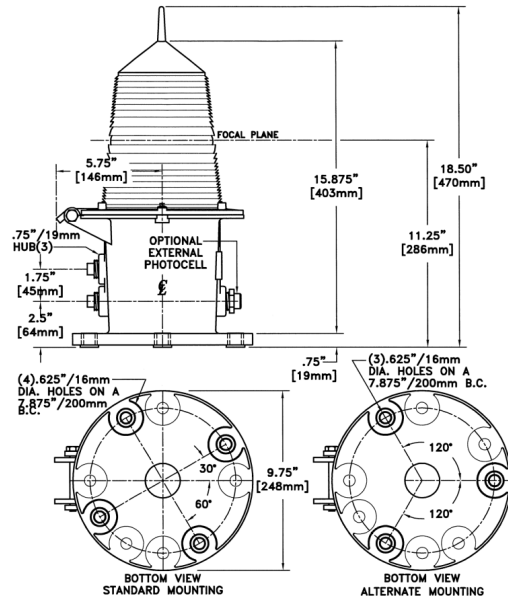
Note: The appropriate lamp must be selected so that the navigation lights meet the range requirements of the applicable Rules of the Road.

HORIZONTAL ARC OF VISIBILITY

The required horizontal arc of visibility should be specified when ordering running lights. The inside portions of portable lights are obscured to provide the proper arc of visibility rather than furnishing an external screen.

REQUIRED SERVICING

The desired interval between lamps and/or battery changing is one factor to be considered in selecting a running light.



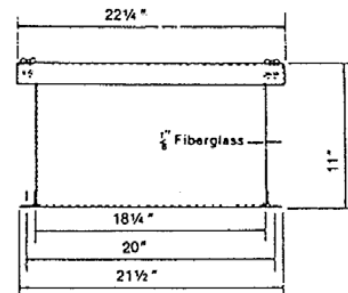
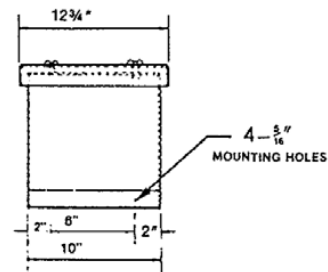
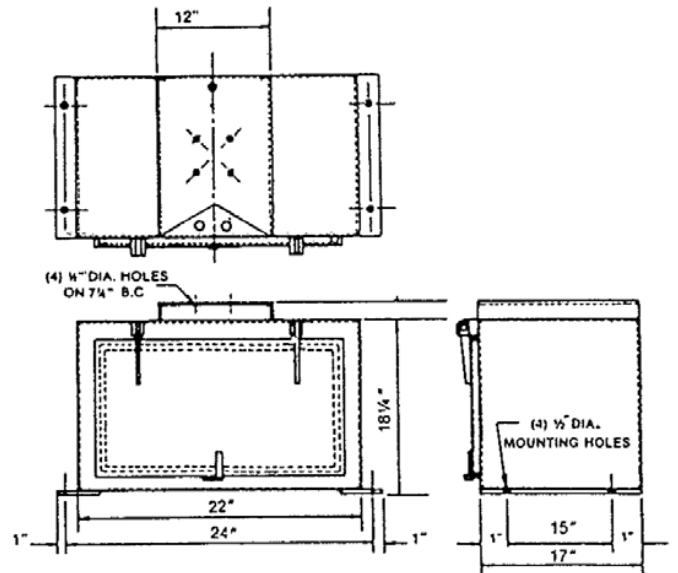
NUMBER OF NIGHTS OF OPERATION BETWEEN SERVICING

.25 Amp Lamp

Type	Batteries	Lamps
1	1	60
3	135	60
4	125	300
5	275	420

.46 Amp Lamp

Type	Batteries	Lamps
1	DO NOT USE THIS LAMP	
3	75	80
4	75	300
5	150	420



**All values are subject to change without notice.*