



### OVERVIEW

The FA-249 Marine Lantern is a rugged, compact and lightweight signal lantern particularly suited for buoys, fixed platforms, bridges, barges, low-powered warning lights and others.

Adapted from the original FA-249 marine lantern due to its widespread use and excellent reputation as a buoy lantern, this state of the art LED system is constructed to withstand the mechanical stresses of service on buoys and includes a number of features designed to endure harsh marine elements while maintaining structural integrity and reducing the need for maintenance.

### CERTIFICATES

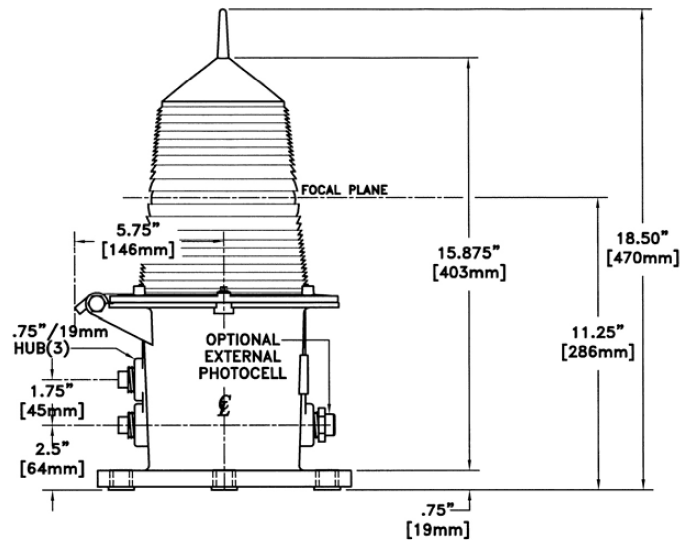
- NI/I/2/ABCD/T6 Ta = +54°C; T5 Ta = +65°C; T4A Ta = +85°C
  - NI/I/2/IIC/T6 Ta = +54°C; T5 Ta = +65°C
- Zone 2
- Coding: II 3 G T3; Ta -20°C to +40°C

### KEY FEATURES

- A Qualified Product to U. S. Coast Guard Specification 205
- Extremely high flux LEDs mounted on a STABRITE LED array system, driven by specially designed electronics
- LED array available in 1X6, 1X4, 1x8, 3X4 configurations
- Proven lantern design with the flexibility to use the same housing and lens system for both LED and lamp changer systems, and ability to retrofit LED's into existing installations
- A 3-piece lens mounting system of molded Lexan with stainless steel thumb screws that fully compresses the lens gasket and provides strong positive closure of the lantern
- Ability to accommodate an external photocell, solar array cable and battery cable
- Factory-preset flash characteristics to customer specifications
- 15+1 special programmable position (AM-8 LED Flasher/Controller Unit)
- 255+1 special programmable position (AM-6 LED Flasher/Controller Unit)
- High-efficiency TracSwitcher current controls; 82% of the battery current reaches the LED array on flash; 2 mA idle current between flashes
- Software programmable: Photocell, low voltage disconnect, special flash rhythm, specialized current settings and solar charge control voltage setting
- Optional 365 day timer (AM-6)
- Optional Uniflash®-series GPS synchronizing system, terminal strips, etc
- Optional remote monitoring

## PHYSICAL SPECIFICATIONS

Height	470mm (18.5")
Weight	2.22 kg (4.9 lbs.)
Input Voltage	Available in 6, 12, 24 VDC or 120, 230 VAC
Power Consumption	Maximum Average Power of 5.5W
Available Colours	Clear, Red, Green, Yellow
Len Type	155 mm 360° Visibility Acrylic Fresnel Lens
Visibility	Varies by configuration
Vertical Divergence	Varies by configuration
Monitor and Control	Optional
Synchronization	Uniflash®-Series GPS Synchronizing (Optional)
Lantern Housing	Molded Lexan® Lens Ring and Base
Mounting	(4) 16 mm (5/8") Holes on a 200 mm (7 7/8") Bolt Circle 3-Hole Mounting Pattern Also Available
Operating Temperature	-20°C to + 55°C
Ingress Rating	IP-56 (FM); IP-66 (Zone 2)



## TYPICAL PERFORMANCE

### 3X4 LED Array Candela @ Battery Power

Red	Green	White	Yellow
48Cd @ 3W	84Cd @ 4.1W	116Cd @ 4.1W	52Cd @ 4.5W
144Cd @ 7.5W	191Cd @ 9.6W	298Cd @ 9.5W	149Cd @ 10.8W
214Cd @ 12.6W	291Cd @ 17.7W	477Cd @ 17.2W	218Cd @ 17.9W
273Cd @ 18.5W	343Cd @ 24.4W	617Cd @ 24.2W	257Cd @ 26W

Vertical Divergence: 16° @ 50%; 22° @ 10%

Maximum average power 6.4W; optional 12W and 23W heat sink available

### 1X8 LED Array Candela @ Battery Power

Red	Green	White	Yellow
224Cd @ 3.1W	312Cd @ 4.8W	338Cd @ 3W	335Cd @ 4W
421Cd @ 5.8W	518Cd @ 9.4W	1013Cd @ 9.8W	684Cd @ 9.6W
595Cd @ 9.8W	710Cd @ 16.1W	1572Cd @ 16.6W	928Cd @ 16.9W
793Cd @ 14.2W	852Cd @ 23.5W	2330Cd @ 35W	1055Cd @ 18.7W

Vertical Divergence: 7° @ 50%; 15° @ 10%

Maximum average power 6.4W; optional 12W and 23W heat sink available

### 1X6 LED Array Candela @ Battery Power

Red	Green	White	Yellow
114Cd @ 2.3W	158Cd @ 2.9W	243Cd @ 3W	175Cd @ 3.4W
222Cd @ 4.6W	285Cd @ 6.8W	522Cd @ 7.1W	338Cd @ 7.4W
354Cd @ 7.9W	386Cd @ 12.2W	812Cd @ 12.7W	474Cd @ 14.2W
420Cd @ 10.7W	442Cd @ 18.5W	1055Cd @ 18.8W	511Cd @ 17.8W

Vertical Divergence: 6° @ 50%; 12° @ 10%

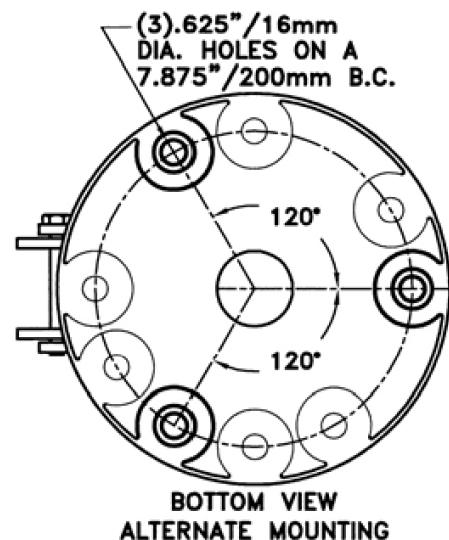
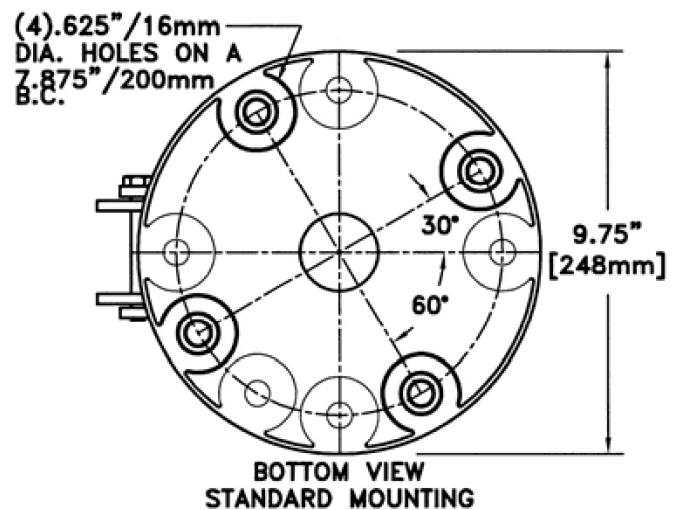
Maximum average power 6.4W' optional 12W heat sink available

### 1X4 LED Array Candela @ Battery Power

Red	Green	White	Yellow
65Cd @ 1.6W	95Cd @ 1.9W	120Cd @ 2W	85Cd @ 2.2W
140Cd @ 3.6W	176Cd @ 4.7W	268Cd @ 4.8W	138Cd @ 4.3W
212Cd @ 6.4W	234Cd @ 8.3W	400Cd @ 8.5W	173Cd @ 6.6W
276Cd @ 9.5W	276Cd @ 11.4W	517Cd @ 12.5W	195Cd @ 8.9W

Vertical Divergence: 7° @ 50%; 15° @ 10%

Maximum average power 6.4W; optional 12W heat sink available



\*All values are subject to change without notice.

**Pharos Marine Automatic Power, Inc.**  
Houston, TX - USA  
sales@automaticpower.com  
Phone: +1-713-228-5208

**Pharos Marine Automatic Power**  
Gray, LA - USA  
rleblanc@automaticpower.com  
Phone: +1-985-223-8700

**Pharos Marine Automatic Power, Ltd.**  
London, UK  
sales@pharosmarine.com  
Phone: +44-20-8538-

**AB Pharos Marine Pte.**  
Singapore  
sales@pharos-api.com  
Phone: +65-6747-9325