



# FA-249 EMERGENCY WRECK MARKING LIGHT

*LED Marine Lantern  
4 NM at 0.74T*



## OVERVIEW

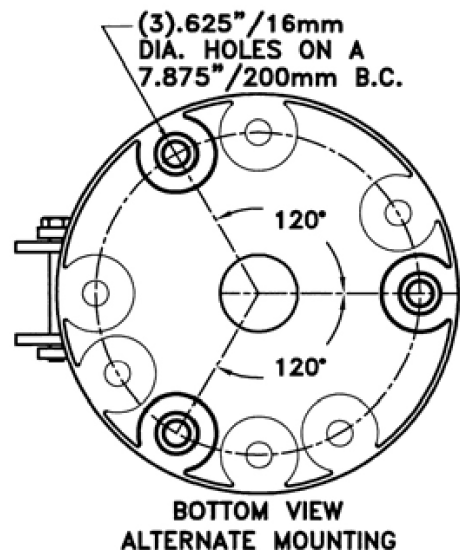
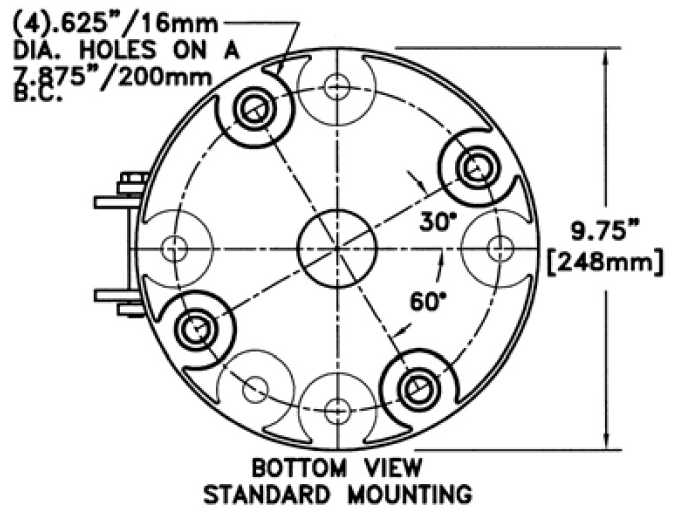
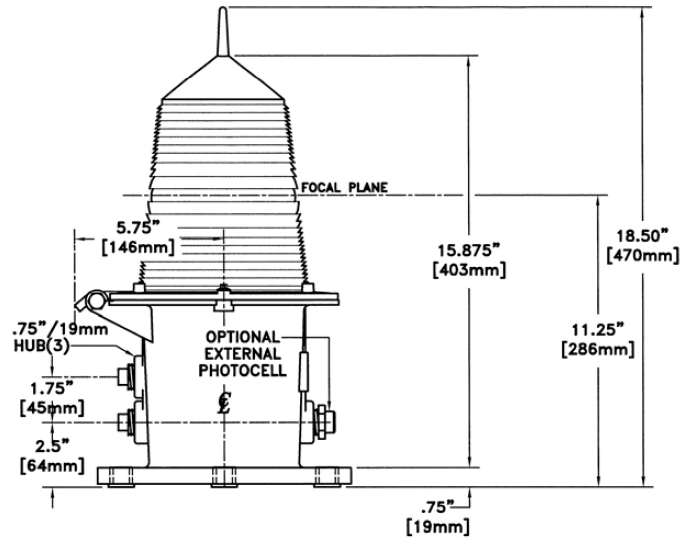
The FA-249 Emergency Wreck Marking Light is a blue/yellow flashing marine signal lantern designed in accordance with IALA recommendation 0-133. Adapted from the original FA-249 marine lantern due to its widespread use and excellent reputation as a buoy lantern, this state of the art LED system is constructed to withstand the mechanical stresses of service on buoys and includes a number of features designed to endure harsh marine elements while maintaining structural integrity and reducing the need for maintenance.

## KEY FEATURES

- Proven lantern design with the flexibility to use the same housing and lens system for both LED and lamp changer systems, and ability to retrofit LEDs into existing installations
- A three-piece lens mounting system engineered to eliminate lantern failures from cracked or broken components at the lantern hinge point
- Silicone rubber gasket for air-tight seal
- Fittings in base for electrical connection
- Fitted with the 2 AM-8 Flashers with 2x6 STABRITE LED array in blue/yellow configuration
- Extremely high flux, compact blue/yellow LEDs mounted on a heavy-duty heat sink
- Secondary environmental enclosure independent of the lantern housing to assure that moisture does not reduce the life of the LED
- Heavy-duty heat sink maximizes the life of the LED array by keeping the maximum temperature of the array to less than 50°C
- LED array/diffuser system approximates a marine signal lamp located at the focal point of the lens to maximize the output of the lantern in the horizontal plane with a horizontal uniformity of  $\pm 15\%$  and wide vertical divergence
- Large space in base of lantern available to house remote monitoring radios, Uniflash®-III GPS synchronizing system, ATONIS (AISMonitoring), etc.
- Character: BI 1.0 + 0.5S + YI 1.0 + 0.5 = 3.0 sec

## PHYSICAL SPECIFICATIONS

Height	470 mm (18.5")
Weight	2.22 kg (4.9 lbs.)
Input Voltage	12 or 24 VDC
Power Consumption	17 Watts
Available Colours	Blue/Yellow
Quiescent Current	20mA
Lens Type	155 mm 360° Acrylic Fresnel Lens
Monitor and Control	Optional
Synchronization	Uniflash®-III GPS Synchronizing System (Optional)
Lantern Housing	Molded Lexan® Lens Ring and Base
Mounting	(4) 16 mm (5/8") Holes on a 200 mm (7 7/8") Bolt Circle, 90° Apart (3-Hole Mounting Pattern Also Available)
Operating Temperature	-20C° to +40°C
Ingress Rating	IP-56



*\*All values are subject to change without notice.*