



## OVERVIEW

The FA-249 Marine Lantern is a rugged, compact and lightweight signal lantern particularly suited for buoys, fixed platforms, barges, and aviation obstruction lights.

Constructed to withstand the mechanical stresses of service on buoys, the FA-249 Marine Lantern includes a number of features designed to endure harsh marine elements while maintaining structural integrity and reducing the need for maintenance.

## CERTIFICATES

- FM Approved
- NI/I/2/CD/T2D
- ATEX Conformity Certificate (ZONE 2)
- Certificate Number: Epsilon 05ATEX1407
- Directive: ATEX Directive, 94/9/EC
- Coding: II 3 G EEx nL IIB T3

## KEY FEATURES

- A 3-piece lens mounting system engineered to eliminate lantern failures from cracked or broken components at the lantern hinge point
- Candlepower output of the acrylic lens exceeds that of larger conventional pressed glass lenses because acrylic has a higher color transmission factor and better optical characteristics
- Fittings in base for electrical connection
- 2 options for a tool-less entry system:
  1. stainless steel thumb screws
  2. stainless steel latches (The SS latch can be secured with a padlock to deter vandals)
- Silicone rubber gasket for air-tight seal
- Candelabra, pre-focused, marine signal lamps mounted on a rotating mechanism (Flashchanger) that automatically brings the next lamp into precise focal position when the operating lamp fails. 6-place units are able to rotate S-8 envelope lamps inside the 155 mm lens; 4-place units are able to rotate both the S-8 envelope and the larger S-II envelope lamps

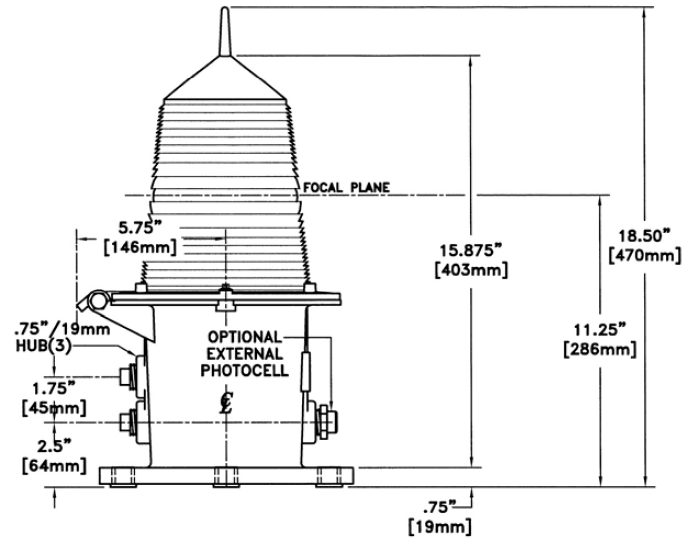
## ENHANCEMENTS

### PMAPI has a variety of optional products to enhance the capabilities of the FA-249 Lantern:

- External photocell, which limits lantern operation to hours of darkness only
- Catoptic insert designed to catch light lost in top of lantern and redirect it to horizontal plane, increasing horizontal candlepower by 5%
- TR-3 Power Supply with 120/240 VAC Input and 3 amp 12 Volt flashed output
- Uniflash®-series wireless synchronization system
- UHF/VHF radio for monitoring status of buoy lighting system or radio receiver for self-test actuation
- Battery Charger and Small standby battery
- Step-down transformer for AC/DC lampchanger in fixed burning applications

## PHYSICAL SPECIFICATIONS

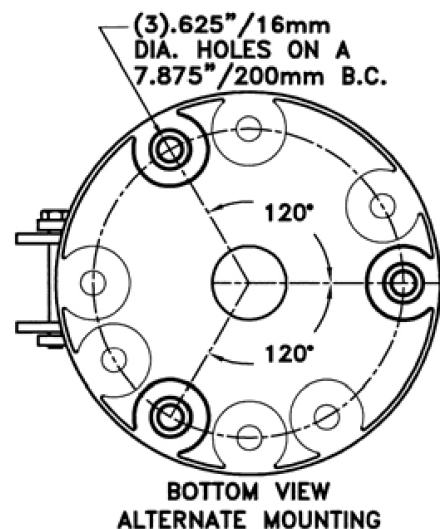
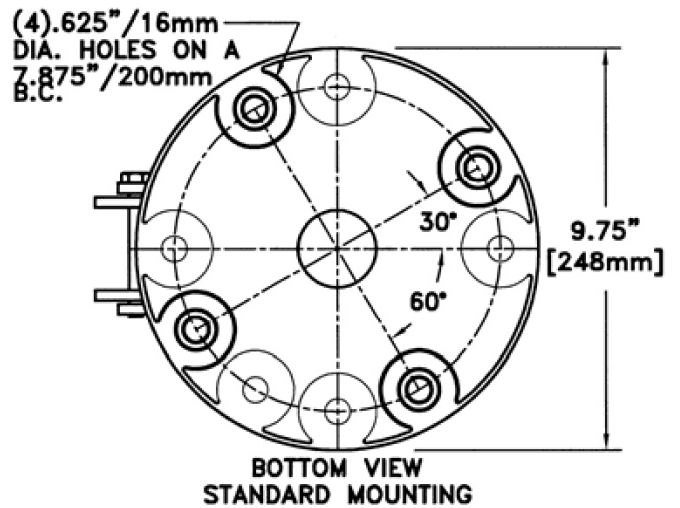
Height	470 mm (18.5")
Weight	2.95 kg (6.5 lbs.)
Input Voltage	6, 12, and 24 VDC; 120/240 VAC
Power Consumption	xxxxx
Available Colours	Clear, Red, Green, Amber
Quiescent Current	xxxxx
Lens Type	155 mm 360° Acrylic Fresnel Lens
Vertical Divergence	4.0° - 4.5° to 50%
Monitor and Control	Optional
Synchronization	Uniflash® Wireless, Cabling (Optional)
Lantern Housing	Molded Lexan® Lens Ring and Base
Mounting	(4) 16 mm (5/8") Holes on a 200 mm (7 7/8") Bolt Circle, 90° Apart (3-Hole Mounting Pattern Also Available)
Operating Temperature	Component Dependent
Ingress Rating	IP-56



## PHOTOMETRIC DATA (CANDELA)

Lamp C-8 Filament	FA-249	FA-249 with Catopic Insert
6V, 0.25 A	30	31.5
6V, 0.46 A	85	89
6V, 0.70 A	110	115
6V, 0.90 A	125	131
12V, 0.25A	64	67
12V, 0.55A	120	126
12V, 0.77A	180	189
12V, 1.15A	260	273
12V, 2.03A	402	422
12V, 3.05A	823	864
12V, 9.0A**	3770	3958
CC-8 Filament		
12V, 0.5A	192	201
12V, 1.0A	512	537
12V, 2.0A	1050	1102
12V, 3.0A	1380	1450
Halogen Lamps		
12V, 20W	939	990
12V, 35W	1410	1475
12V, 50W	1470	1540
12V, 75W	1890	1980

**Note:** For red lens multiply above by 0.30; for green lens multiply above by 0.32; for amber lens multiply above by 0.68. The maximum power dissipation of the lantern is 55 watts with a vertical divergence of 4.0°-4.5° to 50%.



\*All values are subject to change without notice.

Pharos Marine Automatic Power, Inc.  
Houston, TX - USA  
sales@automaticpower.com  
Phone: +1-713-228-5208

Pharos Marine Automatic Power  
Gray, LA - USA  
rleblanc@automaticpower.com  
Phone: +1-985-223-8700

Pharos Marine Automatic Power, Ltd.  
London, UK  
sales@pharosmarine.com  
Phone: +44-20-8538-

AB Pharos Marine Pte.  
Singapore  
sales@pharos-api.com  
Phone: +65-6747-9325