



FA-250HA LONG RANGE

LED Marine Lantern

18+ NM at 0.74T (28+ NM at 0.85T)



OVERVIEW

The FA-250HA LED Long Range Marine Lantern offers the AtoN authority an LED lantern with the highest Lumen Maintenance value available in the market today. The light is a unique combination of high intensity and optical efficiency giving the possibility of a nominal range in excess of 18 nautical miles (T=0.74) and 28 nautical miles (T=0.85), depending on color and flashing character.

The FA-250 LED LR is available in 12 models based on different configurations.

KEY FEATURES

- LEDs mounted on specially designed patented heat
- Sinks to keep the temperature of the LED below 50°C to assure the design life of 60,000 hours
- 15+1 power level settings (one selectable)
- 255 + 1 flash rhythms (one selectable)
- Terminals for UNIFLASH® III wireless synchronization system or hardwired sync circuit (Optional)
- ATONIS for AIS Msg 21 and Msg 6 monitoring
- 3 tier units and all AC units require external controller

PHYSICAL SPECIFICATIONS

Height	691 mm (27 3/16")
Weight	20 kg (44 lbs.)
Input Voltage	20-35 VDC; Reverse polarity protected 120/240 VAC 50-60 Hz (External Controller Only)
Available Colours	White, Red, Green, Amber
Quiescent Current	≤ 1.0 Watt
Lens Type	250mm Precision-Molded, Clear, Acrylic Cover
Lantern Housing	Cast Aluminum Base and Frame, Stainless Steel Fittings
Visibility	360° Omnidirectional
Vertical Divergence	White: 4° to 50%; 11° to 10% All Other Colors: 3.2° to 50%; 8° to 10%
Monitor and Control	Optional
Synchronization	UNIFLASH® Wireless Sync or Hardwired (Optional)
Mounting	4 3/4" (20mm) holes on 200 mm bolt circle
Operating Temperature	-40°C to +55°C
Ingress Rating	IP-56

PHOTOMETRIC DATA

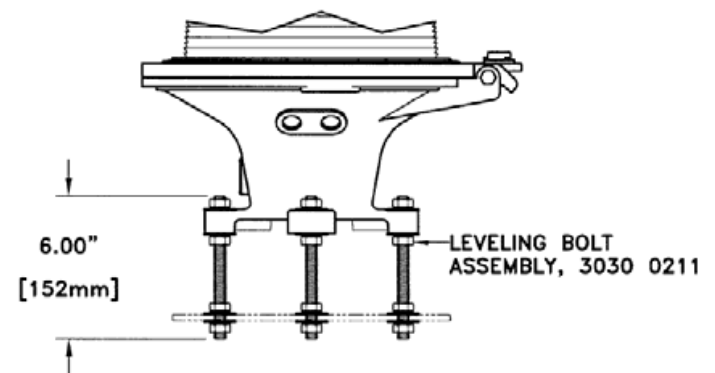
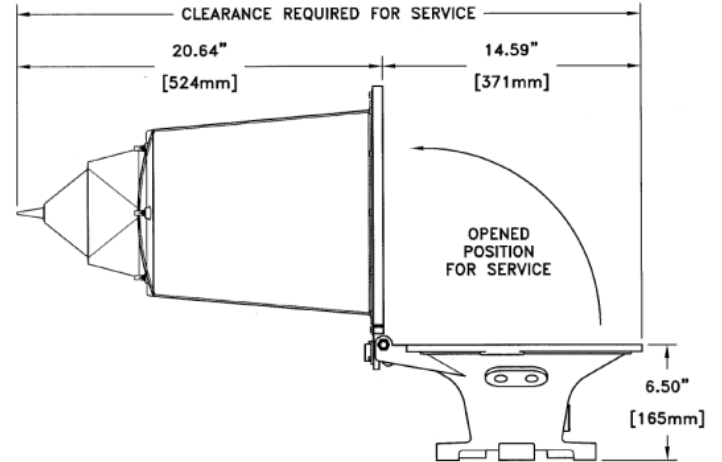
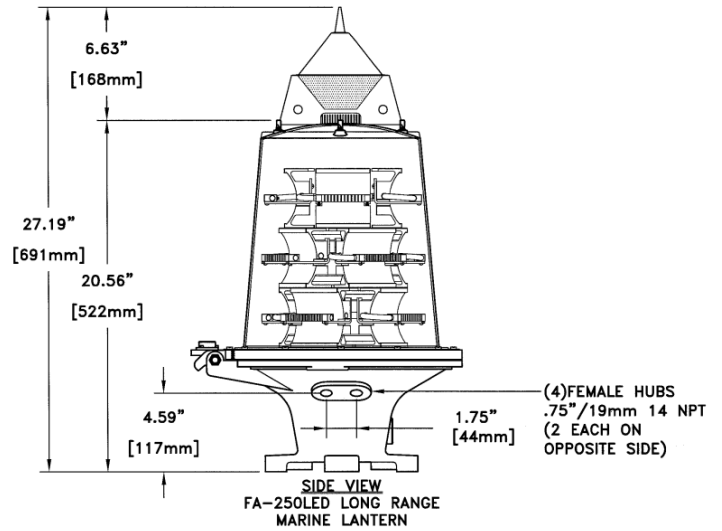
Photometric Data Conforms to IALA Chromaticity and 90th Percentile Intensity Standards

INPUT POWER, W	RED (1 X 9)	GREEN (1 X 6)	YELLOW (1 X 6)	WHITE (1 X 6)
3-Tier (1X16X12) LED PHOTOMETRIC (CD-Fixed)				
690	-	30 450	18 850	51 900
540	-	23 790	14 730	45 700
360	12 458	15 855	9 820	34 000
192	6 237	7 950	4 915	20 900
90	3 120	3 975	2 460	10 000
2-Tier (1X16X8) LED PHOTOMETRIC (CD-Fixed)				
460	-	20 300	12 570	34 600
360	-	15 860	9 820	30 4666
240	8 305	10 570	6 545	22 733
128	4 153	5 285	3 270	13 933
60	2 080	2 650	1 640	6 900
1-Tier (1X16X4) LED PHOTOMETRIC (CD-Fixed)				
120	4 568	5 815	3 600	11 366
60	2 284	2 907	1 800	6 966
30	1 144	1 458	900	3 400

FACTORY MUTUAL CLASS 1 DIVISION 2 APPROVED

NI/1/2/ABCD/* NI/1/2/IC/*

LED ASSEMBLY	Average Power (Watts)	T-Code	Tamb Max (°C)
1 X 1 6 X 4	42.6	T4A(T4)	68
		T5	49
1 X 1 6 X 8	85.2	T4A(T4)	60
		T5	42
1 X 16 X 12	85.2	T4A(T4)	60
		T5	42



*All values are subject to change without notice.

Pharos Marine Automatic Power, Inc.
Houston, TX - USA
sales@automaticpower.com
Phone: +1-713-228-5208

Pharos Marine Automatic Power
Gray, LA - USA
rleblanc@automaticpower.com
Phone: +1-985-223-8700

Pharos Marine Automatic Power, Ltd.
London, UK
sales@pharosmarine.com
Phone: +44-20-8538-

AB Pharos Marine Pte.
Singapore
sales@pharos-api.com
Phone: +65-6747-9325