



FA-250 LED LONG RANGE

3 Mile, 5 Mile, 10 Mile & 15 Mile
Class 1 Division 2



OVERVIEW

The FA-250 LED LR is highly efficient optic, designed to meet the requirements of offshore oil platforms for 3, 5, 10, engineered or 15 NM applications.

CERTIFICATES

3 and 5 Mile

- NI/I/2/ABCD/T4A Ta <+48.5°C/T4 Ta <+63.5°C
- NI/I/2/IIC/T4 Ta < +48.5°C/ T4 Ta <+63.5°C

10 Mile

- NI/I/2/ABCD/T5 Ta <+49°C/T4A Ta <+68°C
- NI/I/2/IIC/T5 Ta < +49°C/ T4 Ta <+68°C

15 Mile

- NI/I/2/ABCD/T5 Ta <+43°C/T4A Ta <+63°C
- NI/I/2/IIC/T5 Ta < +43°C/ T4 Ta <+63°C

KEY FEATURES

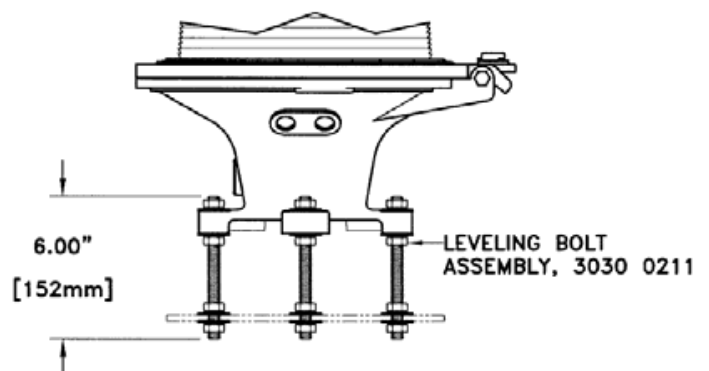
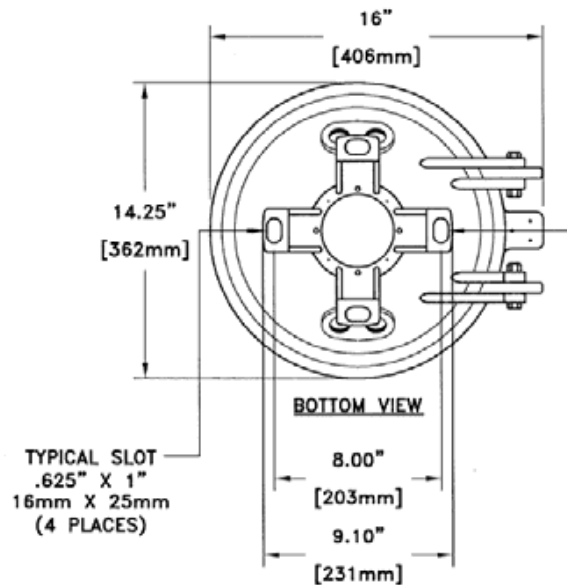
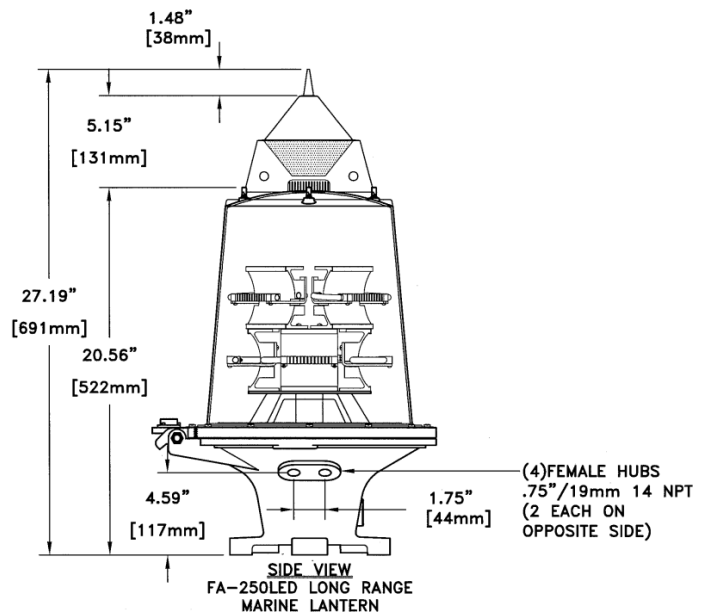
- USCG and FM Approved Certifications
- Selectable Power Level Settings
- Multiple Pre-programmed Flash Rhythms plus 1 for User Programming
- Linear arrays of very high flux LED's individually mounted in a parabolic reflectors
- LED's mounted on specially designed patented heat sinks to keep the temperature of the LED below 50°C to assure the design life of 60,000 hours
- Controller provides flash control, current limiting to the LED, photocell input and synchronization terminal
- Approved by the U. S. Coast Guard for Gulf of Mexico use on Class A structures in the 8th Coast Guard District at 4 watts at Quick Flash. Lantern has 10 NM range at Morse code "U" at minimum of 20 watts.

VARIATION OF LANTERNS

- FA-250 15 mile: 300 Watt LED Array providing Flashing 15-mile Morse U White Light. Average power 50 watts.
- FA-250 10 mile: 20 Watt LED Array providing Flashing 10-mile Morse U White Light. Average Power 3.33 watts.
- FA250 5 mile: 4.0 Watt LED Array providing Flashing 5-mile Quick Flash. Average power 1.0 watts.
- FA-250 3 mile: 4.0 Watt LED Array providing Flashing 3-mile Morse U Red Light. Average Power 1.0 watts.

PHYSICAL SPECIFICATIONS

Height	691 mm (27.19")
Weight	14 kg (30 lbs.)
Input Voltage	12 or 24 VDC, Dependent on Model
Power Consumption	Variable Up To 300 Watts
Available Colors	White, Red, Green, Amber
Quiescent Current	0.01A per AM-11 PCB; 0.005A per AM-6 or AM-8 PCB
Lens Type	250mm Precision-Molded, Clear, Acrylic Cover
Visibility	360° Omnidirectional
Vertical Divergence	3°
Monitor and Control	Optional
Synchronization	Hardwired (Optional)
Lantern Housing	Cast Aluminum Base and Frame; Stainless Steel Fittings
Operating Temperature	-20°C to (See Certificate Information Below)
Ingress Rating	IP-56



**All values are subject to change without notice.*

Pharos Marine Automatic Power, Inc.
Houston, TX - USA
sales@automaticpower.com
Phone: +1-713-228-5208

Pharos Marine Automatic Power
Gray, LA - USA
rleblanc@automaticpower.com
Phone: +1-985-223-8700

Pharos Marine Automatic Power, Ltd.
London, UK
sales@pharosmarine.com
Phone: +44-20-8538-

AB Pharos Marine Pte.
Singapore
sales@pharos-api.com
Phone: +65-6747-9325