



# FA-250 MEDIUM RANGE

*LED Marine Lantern*

13+ NM at 0.74T (19+ NM at 0.85T)



## OVERVIEW

The FA-250HA LED Long Range Marine Lantern offers the AtoN authority an LED lantern with the highest Lumen Maintenance value available in the market today. The light is a unique combination of high intensity and optical efficiency giving the possibility of a nominal range in excess of 18 nautical miles (T=0.74) and 28 nautical miles (T=0.85), depending on color and flashing character.

The FA-250 LED LR is available in 12 models based on different configurations.

## KEY FEATURES

- LEDs mounted on specially designed patented heat
- Sinks to keep the temperature of the LED below 50°C to assure the design life of 60,000 hours
- 15+1 power level settings (one selectable)
- 255 + 1 flash rhythms (one selectable)
- Terminals for UNIFLASH® III wireless synchronization system or hardwired sync circuit (Optional)
- ATONIS for AIS Msg 21 and Msg 6 monitoring
- 3 tier units and all AC units require external controller

## PHYSICAL SPECIFICATIONS

Height	691 mm (27 3/16")
Weight	20 kg (44 lbs.)
Input Voltage	10.5-30 VDC; 120/240 VAC 50-60 Hz (External Controller Only)
Available Colours	White, Red, Green, and Amber
Quiescent Current	≤ 1.0 Watt
Lens Type	250mm Precision-Molded, Clear, Acrylic Cover
Lantern Housing	Cast Aluminum Base and Frame, Stainless Steel Fittings
Vertical Divergence	
White:	4° to 50%; 11° to 10%
All Other Colors:	3.2° to 50%; 8° to 10%
Monitor and Control	Optional
Synchronization	UNIFLASH® Wireless Sync or Hardwired (Optional)
Mounting	(4) 20 mm (3/4") Holes on 200 mm Bolt Circle
Operating Temperature	-40°C to +60°C
Ingress Rating	IP-56

## PHOTOMETRIC DATA

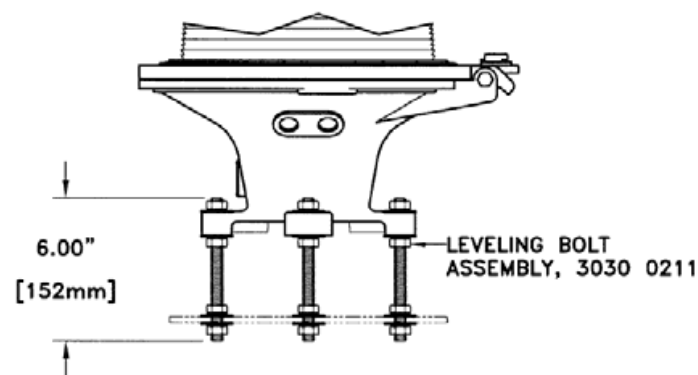
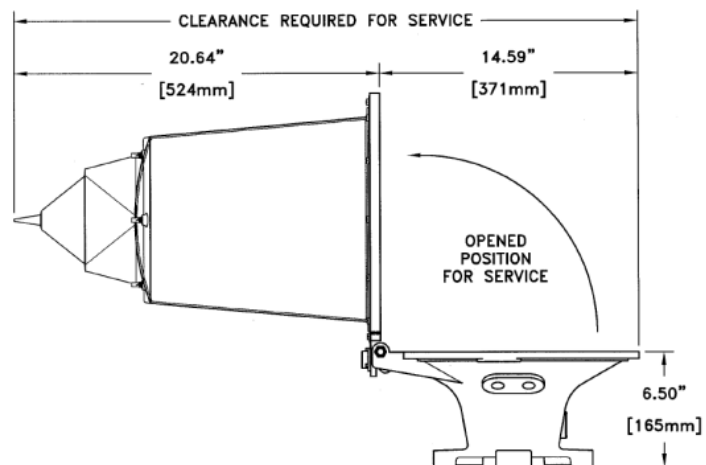
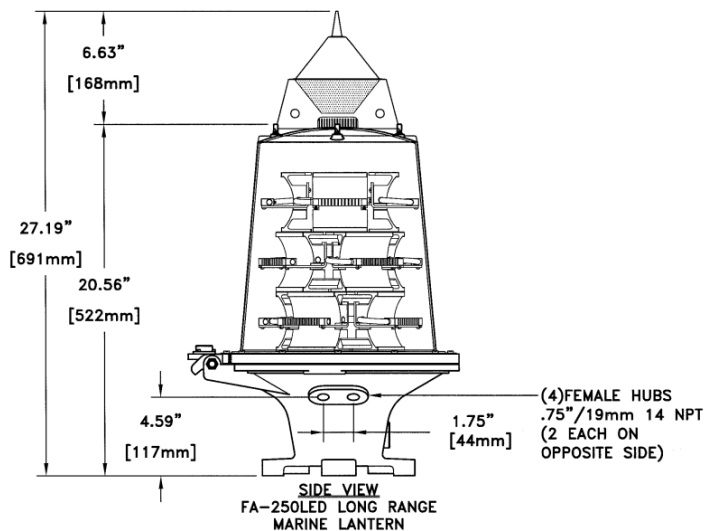
Photometric Data Conforms to IALA Chromaticity and 90th Percentile Intensity Standards

INPUT POWER, W	RED (1 X 9)	GREEN (1 X 6)	YELLOW (1 X 6)	WHITE (1 X 6)
<b>2-Tier (1X16X8) LED PHOTOMETRIC (CD-Fixed)</b>				
135	-	9 000	-	-
100	9 800	6 200	-	7 000
90	9 000	6 000	-	6 800
72	8 000	5 500	4 200	6 500
60	7 000	4 800	3 490	5 400
30	3 600	3 000	2 220	3 600
15	1 850	1 680	1 225	1 950
<b>1-Tier (1X16X4) LED PHOTOMETRIC (CD-Fixed)</b>				
84	-	5 170	-	-
68	5 880	4 660	-	-
50	5 410	3 400	-	3 500
36	4 380	3 100	2 250	3 250
20	2 560	1 990	1 580	2 200
10	1 280	1 120	960	1 350
2.5	300	280	250	350

## FACTORY MUTUAL CLASS 1 DIVISION 2 APPROVED

NI/1/2/ABCD/\* NI/1/2/IIC/\*

LED ASSEMBLY	Average Power (Watts)	T-Code	Tamb Max (°C)
1 X 6 X 4 / 1 X 9 X 4	18	T4A	48.5
		T4	63.5
1 X 6 X 8 / 1 X 9 X 8	49.6	T4A	48.5
		T4	63.5
1 X 6 X 12 / 1 X 9 X 12	81.6	T4A	48.5
		T4	63.5



\*All values are subject to change without notice.

**Pharos Marine Automatic Power, Inc.**  
Houston, TX - USA  
sales@automaticpower.com  
Phone: +1-713-228-5208

**Pharos Marine Automatic Power**  
Gray, LA - USA  
rleblanc@automaticpower.com  
Phone: +1-985-223-8700

**Pharos Marine Automatic Power, Ltd.**  
London, UK  
sales@pharosmarine.com  
Phone: +44-20-8538-

**AB Pharos Marine Pte.**  
Singapore  
sales@pharos-api.com  
Phone: +65-6747-9325